



# Husqvarna®



## K 4000

EN	Operator's manual	2-25
ES-MX	Manual del usuario	26-50
FR-CA	Manuel d'utilisation	51-75

---

# Contents

---

INTRODUCTION.....	2	MAINTENANCE.....	20
SAFETY.....	4	TRANSPORTATION, STORAGE AND DISPOSAL.....	22
ASSEMBLY.....	9	TECHNICAL DATA.....	23
OPERATION.....	14	US WARRANTY STATEMENT.....	24

---

## INTRODUCTION

---

### Owner responsibility

---



**WARNING:** Cutting, especially when DRY cutting, generates dust that comes from the material being cut, which frequently contains silica. Silica is a basic component of sand, quartz, brick clay, granite and numerous other minerals and rocks. Exposure to excessive amount of such dust can cause:

Respiratory disease (affecting your ability to breath), including chronic bronchitis, silicosis and pulmonary fibrosis from exposure to silica. These diseases may be fatal;

Skin irritation and rash.

Cancer according to NTP\* and IARC\* \*/ National Toxicology Program, International Agency for Research on Cancer.

---



**WARNING:** Take precautionary steps:

Avoid inhalation of and skin contact with dust, mist and fumes.

Make sure that all bystanders wear appropriate respiratory protection such as dust masks designed to filter out microscopic particles. (See OSHA 29 CFR Part 1926.1153)

To minimize dust emissions, wet cut when feasible. If dry cutting is necessary, use the Vac unit.

---

It is the owner's/employer's responsibility that the operator has sufficient knowledge about how to use the product safely. Supervisors and operators must have read and understood the Operator's Manual. They must be aware of:

- The products's safety instructions.
- The products's range of applications and limitations.
- How the product is to be used and maintained.

National legislation could regulate the use of this product. Find out what legislation is applicable in the

place where you work before you start using the product.

### Product description

K 4000 is a high speed handheld power cutter designed to cut hard materials like masonry or steel. It should not be used for any purpose not described in this manual. Safe operation of this product requires the operator to read this manual carefully. Ask your dealer or Husqvarna if you need more information.

### Design and features

#### Features

K 4000 is made with innovative technology for high performance and reliability, and provides advanced technical solutions and environmental considerations.

Some of the unique features of K 4000 are described below.

#### Elgard™

Elgard™ is an electronic overload protection that protects the motor. The protection spares the machine and extends its service life. With the help of Elgard™, the machine indicates when it approaches maximum load.

#### Softstart™

Softstart™ is an electronic current limiter which provides a softer start.

#### Vac attachment accessory (not supplied)

The Vac attachment is easily attached to the machine and connected to the vacuum cleaner / dust collector for effective dust management when dry cutting.

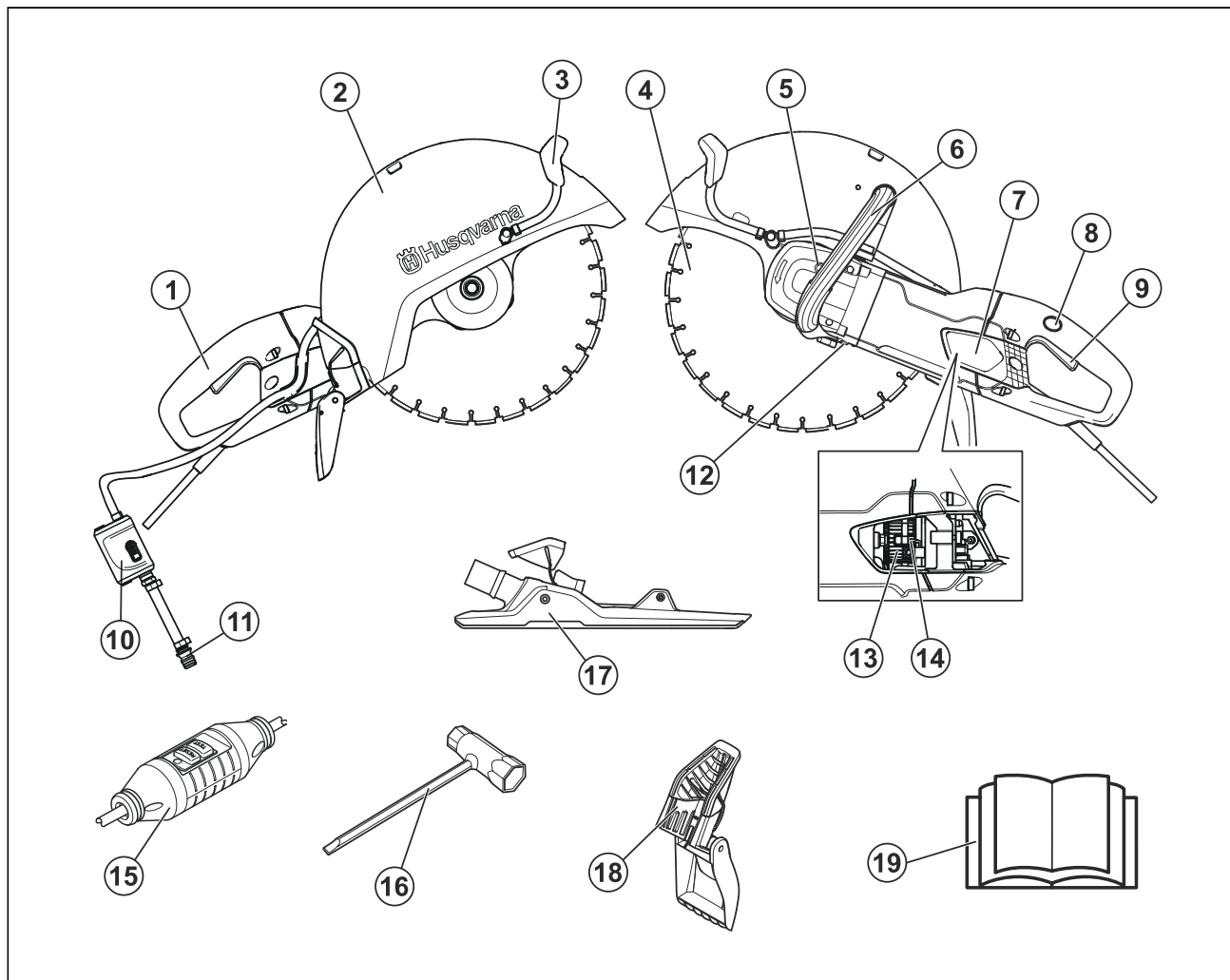
#### Intended use

This product is designed and intended for cutting tile and stone. All other use is improper.

The product is intended for use in industrial applications by experienced operators.

---

## Product overview



1. Rear handle
2. Blade guard
3. Water kit
4. Cutting blade (not supplied)
5. Locking the axle
6. Front handle
7. Inspection cover
8. Power switch lock
9. Power switch
10. Water tap with flow limiter
11. Water connector
12. Rating plate
13. Brush retainer
14. Carbon brushes
15. Residual-current device (not for UK and Ireland)
16. Combination spanner
17. Vac attachment (accessory, not supplied)
18. Splash guard
19. Operator's manual

### Symbols on the product



**WARNING!** The product can be a dangerous tool if used incorrectly or carelessly, which can cause serious or fatal injury to the operator or others.



Please read the operator's manual carefully and make sure that you understand the instructions before using the product.



Wear protective equipment. See *Personal protective equipment on page 7* for instructions.



**WARNING!** Dust forms when cutting, this can cause injuries if inhaled. Use an approved breathing mask. Avoid inhaling exhaust fumes. Always provide for good ventilation.



**WARNING!** Sparks from the cutting blade can cause fire in combustible materials such as: petrol (gas), wood, clothes, dry grass, etc.



**WARNING!** Kickbacks can be sudden, rapid and violent and can cause life threatening injuries. Read and understand the instructions in the manual before using the product.



**WARNING!** Ensure the blades are not cracked or damaged in any other way.



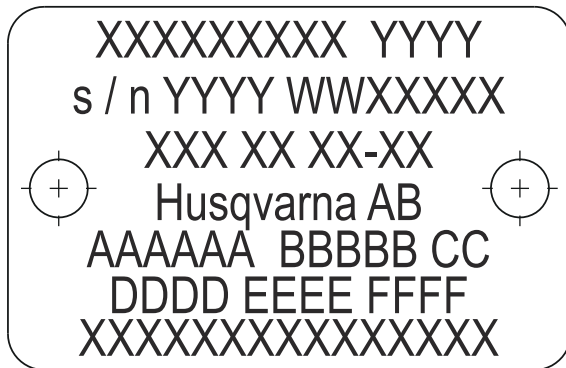
**WARNING!** Do not use circular saw blades.



Conforms to UL Std 60745-1, 60745-2-5. Certified to CSA C22.2 No. 60745-1, 60745-2-5.

**Note:** Other symbols/decals on the product refer to special certification requirements for certain markets.

### Type plate



Row 1: Brand, Model (X, Y)

Row 2: Serial No. with manufacturing date (Y, W, X): Year, Week, Sequence No.

Row 3: Product No (X)

Row 4: Manufacturer

Row 5: A: Max. speed of output shaft, B: Cutting blade diameter, C: Blade bolt diameter

Row 6: D: Input voltage, E: Input current, F: Input frequency

Row 7: Country of origin

### Product liability

As referred to in the product liability laws, we are not liable for damages that our product causes if:

- the product is incorrectly repaired.
- the product is repaired with parts that are not from the manufacturer or not approved by the manufacturer.
- the product has an accessory that is not from the manufacturer or not approved by the manufacturer.
- the product is not repaired at an approved service center or by an approved authority.

## SAFETY

### Safety definitions

Warnings, cautions and notes are used to point out specially important parts of the operator's manual.



**WARNING:** Used if there is a risk of injury or death for the operator or bystanders if the instructions in the manual are not obeyed.



**CAUTION:** Used if there is a risk of damage to the product and/or the attachment, other materials or the adjacent area if the instructions in the manual are not obeyed.

**Note:** Used to give more information that is necessary in a given situation.

## General safety instructions

It is not possible to cover every conceivable situation you might be exposed to. Always exercise care and use your common sense. If you get into a situation where you feel unsafe, stop and seek expert advice. Contact your dealer, service agent or an experienced user. Do not attempt any task that you feel unsure of!

**Note:** Save all warnings and instructions for future reference.



**WARNING:** To reduce the risk of injury, operator must read operator's manual.



**WARNING:** Never use a product that has faulty safety equipment! If your product fails any checks contact your service agent to get it repaired.



**WARNING:** Please read the operator's manual carefully and make sure you understand the instructions before using the product. It is recommended that first time operators also obtain practical instruction before using the product.



**WARNING:** Keep in mind that it is you, the operator that is responsible for not exposing people or their property to accidents or hazards.



**WARNING:** The product must be kept clean. Signs and stickers must be fully legible.



**WARNING:** The product can be a dangerous tool if used incorrectly or carelessly, which can cause serious or fatal injury to the operator or others.



**WARNING:** Never allow children or other persons not trained in the use of the product to use or service it.



**WARNING:** The product is not intended for use by persons (including children) with reduced physical, sensory or mental capabilities, or lack of experience and knowledge.



**WARNING:** Never allow anyone else to use the product without first ensuring that they have read and understood the contents of the operator's manual.



**WARNING:** Never use the product if you are fatigued, while under the influence of alcohol or drugs, medication or anything that could affect your vision, alertness, coordination or judgement.



**WARNING:** Unauthorized modifications and/or accessories may lead to serious injury or death to the user or others. Under no circumstances may the design of the product be modified without the permission of the manufacturer.



**WARNING:** Do not modify this product or use it if it appears to have been modified by others.



**WARNING:** Never use a product that is faulty. Carry out the safety checks, maintenance and service instructions described in this manual. Some maintenance and service measures must be carried out by trained and qualified specialists.



**WARNING:** Always use genuine accessories.



**WARNING:** This product produces an electromagnetic field during operation. This field may under some circumstances interfere with active or passive medical implants. To reduce the risk of serious or fatal injury, we recommend persons with medical implants to consult their physician and the medical implant manufacturer before operating this product.

## Safety instructions for assembly



**WARNING:** Read the following warning instructions carefully before using the product.



**WARNING:** Never use a cutting blade for any other materials than what it was intended to cut.



**WARNING:** Never use a diamond blade to cut plastic material. The heat produced during cutting may melt the plastic and it can stick to the cutting blade and cause a kickback.



**WARNING:** Diamond blades become very hot when used. An overheated blade is a result of improper use, and may cause deformation of the blade, resulting in damage and injuries.



**WARNING:** A cutting blade may burst and cause injury to the operator.



**WARNING:** The cutting blade manufacturer issues warnings and recommendations for the use and proper care of the cutting blade. Those warnings come with the cutting blade. Read and follow all instructions from the cutting blade manufacturer.



**WARNING:** A cutting blade should be checked before it is assembled on the saw and frequently during use. Look for cracks, lost segments (diamond blades) or pieces broken off. Do not use a damaged cutting blade.



**WARNING:** Test the integrity of each new cutting blade by running it at full throttle for about 1 minute.



**WARNING:** Never use a cutting blade with a lower speed rating than that of the power cutter. Only use cutting blades intended for handheld high speed power cutters.



**WARNING:** Do not use abrasive blades with water. The strength is impaired when abrasive blades are exposed to water or moisture, which results in an increased risk of the blade breaking.



**WARNING:** Use only blades which are in compliance with national or regional standards/regulations, for example EN 13236 or EN 12413 or ANSI B7.1.



**WARNING:** Cutting metal generates sparks that may cause fire. Do not use the machine near ignitable substances or gases.



**WARNING:** Cutting metal is not allowed with the Vac attachment.



**WARNING:** Never use toothed blades such as wood cutting blades, circular toothed blades, carbide tipped blades, etc. The risk

of kickback is significantly increased and tips can be torn off and thrown at high speed. Carelessness can result in serious personal injury or even death.



**WARNING:** Government regulation requires a different type of guarding for carbide tipped blades not available on power cutters – a 360 degree guard. Power Cutters (this saw) use Abrasive or Diamond blades and have a different guarding system which does not provide protection against the dangers presented by wood cutting blades.

**Note:** Cutting with abrasive discs is not allowed with the Vac attachment. Use of abrasive discs causes unnatural wear on the Vac attachment.

## Safety instructions for operation

### Work area safety



**WARNING:** The safety distance for the power cutter is 15 metres (50 foot). You are responsible to ensure that animals and onlookers are not within the working area. Do not start cutting until the working area is clear and you are standing firmly.

- Keep work area clean and well lit.
- Do not operate power tools in explosive atmospheres, such as in the presence of flammable liquids, gases or dust.
- Keep children and bystanders away while operating a power tool.
- Observe your surroundings to ensure that nothing can affect your control of the product.
- Ensure that no persons or objects can come into contact with the cutting equipment or be hit by parts thrown by the blade.
- Do not use the product in bad weather, such as dense fog, heavy rain, strong wind, intense cold, etc. Working in bad weather is tiring and can lead to dangerous conditions, such as slippery surfaces.
- Never start to work with the product before the working area is clear and you have a firm foothold. Look out for any obstacles with unexpected movement.
- Ensure when cutting that no material can become loose and fall, causing injury to the operator. Take great care when working on sloping ground.
- Ensure that the working area is sufficiently illuminated to create a safe working environment.
- Make sure that no pipes or electrical cables are routed in the working area or in the material to be cut.

- If cutting into a container (drum, pipe, or other container) you must first make sure it does not contain flammable or other volatile material.

## Electrical safety



**WARNING:** The machine (Great Britain 110V) is not equipped with a ground fault circuit interrupter. The machine must always be used with an isolating transformer for protection in case an electrical fault should occur.



**WARNING:** Do not wash the machine with water, as water can enter the electrical system or the engine and cause damage to the machine or short circuit.

- **Power tool plugs must match the outlet. Never modify the plug in any way. Do not use any adapter plugs with earthed (grounded) power tools.** Unmodified plugs and matching outlets will reduce the risk of electric shock.
- **Avoid body contact with earthed or grounded surfaces, such as pipes, radiators, ranges and refrigerators.** There is an increased risk of electric shock if your body is earthed or grounded.
- **Do not expose the power tool to rain or wet conditions.** Water entering a power tool will increase the risk of electric shock.
- **Do not abuse the cord. Never use the cord for carrying, pulling or unplugging the power tool. Keep cord away from heat, oil, sharp edges or moving parts.** Damaged or entangled cords increase the risk of electric shock.
- **When operating a power tool outdoors, use an extension cord suitable for outdoor use.** Use of a cord suitable for outdoor use reduces the risk of electric shock.
- Check that the cord and extension cord are intact and in good condition. Never use the machine if the cord is damaged, hand it in to an authorized service workshop for repair.
- To avoid overheating do not use the extension cord while it is rolled up.
- When using an extension cable, use only certified extension cables with sufficient reach. For more information, see *Technical data on page 23* section. An undersized cable means a risk of reduced machine capacity and overheating.
- The machine should be connected to an earthed outlet socket. Check that the mains voltage corresponds with that stated on the rating plate on the machine.
- Ensure the cord is behind you when you start to use the machine so that the cord will not be damaged.

## Personal safety

- **Stay alert, watch what you are doing and use common sense when operating a power tool. Do not use a power tool while you are tired or under the influence of drugs, alcohol or medication.** A moment of inattention while operating power tools may result in serious personal injury.
- **Use safety equipment. Always wear eye protection.** Protective equipment such as a dust mask, non-skid safety shoes, hard hat, or hearing protection used for appropriate conditions will reduce personal injuries.
- Avoid accidental starting. Ensure that the switch is in the OFF-position before plugging in.
- **Prevent unintentional starting. Ensure the switch is in the OFF-position before connecting to power source and/or battery pack, picking up or carrying the tool.** Carrying power tools with your finger on the switch or energizing power tools that have the switch on, can result in accidents.
- **Remove any adjusting key or wrench before turning the power tool on.** A wrench or a key left attached to a rotating part of the power tool may result in personal injury.
- **Do not overreach. Keep proper footing and balance at all times.** This enables better control of the power tool in unexpected situations.
- **Dress properly. Do not wear loose clothing or jewellery. Keep your hair, clothing and gloves away from moving parts.** Loose clothes, jewellery or long hair can be caught in moving parts.
- **If devices are provided for the connection of dust extraction and collection facilities, ensure these are connected and properly used.** Dust collection can reduce dust-related hazards.
- Remain at a distance from the blades when the engine is running.
- Overexposure to vibration can lead to circulatory damage or nerve damage in people who have impaired circulation. Contact your doctor if you experience symptoms of overexposure to vibration. Such symptoms include numbness, loss of feeling, tingling, pricking, pain, loss of strength, changes in skin colour or condition. These symptoms normally appear in the fingers, hands or wrists. These symptoms may be increased in cold temperatures.

## Personal protective equipment



**WARNING:** Products such as cutters, grinders or drills, that sand or form material can generate dust and vapors, which may contain hazardous chemicals. Check the nature of the material you intend to process and use an appropriate breathing mask.



**WARNING:** Always use approved hearing protection. Long-term exposure to noise can result in permanent hearing impairment. Be aware of warning signals or shouts when

you are wearing hearing protection. Always remove your hearing protection as soon as the motor stops.



**WARNING:** There is always a risk of crush injuries when working with products containing moving parts. Wear protective gloves to avoid body injuries.



**WARNING:** Sparks may appear and start a fire when you work with the product. Always keep fire fighting equipment handy.

You must use approved personal protective equipment when you use the product. Personal protective equipment cannot eliminate the risk of injury but it will reduce the degree of injury if an accident does happen. Ask your dealer for help in choosing the right equipment.

Always wear:

- Approved protecting helmet.
- Hearing protection.
- Approved eye protection. If you use a face shield then you must also wear approved protective goggles. Approved protective goggles must comply with standard ANSI Z87.1 in the USA or EN 166 in EU countries. Visors must comply with standard EN 1731.
- Approved respiratory protection.
- Protective gloves.
- Heavy-duty, firm grip gloves.
- Tight-fitting, heavy-duty and comfortable clothing that permits full freedom of movement. Cutting generates sparks that can ignite clothing. Husqvarna recommends that you wear flame-retardant cotton or heavy denim. Do not wear clothing made of material such as nylon, polyester or rayon. If ignited such material can melt and cling to the skin. Do not wear shorts.
- Boots with steel toe-caps and non-slip sole.

Always have a first aid kit and firefighting equipment nearby.

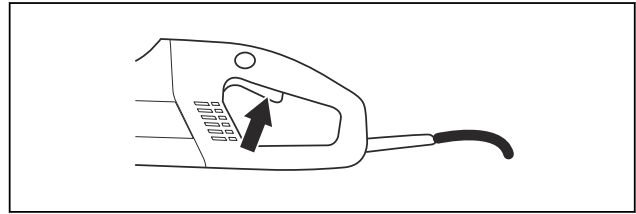
### Safety devices on the product



**WARNING:** Read the following warning instructions carefully before using the product.

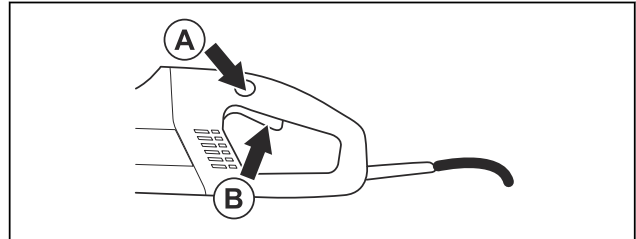
### Power switch

Press the power switch to start the power cutter and release the switch stop the power cutter.



### Power switch lock

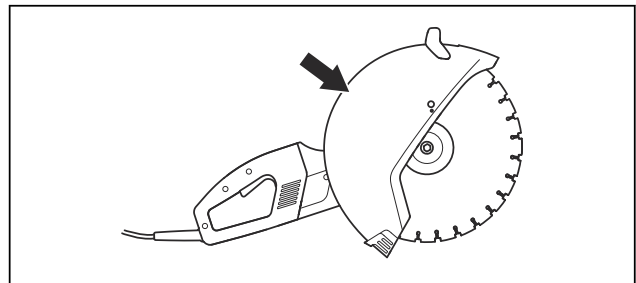
The power switch lock is designed to prevent accidental operation of the switch. Press the power lock switch (A) to release the power switch (B).



The power switch lock remains released as long as the power switch is released. When the grip on the handle is released both the power switch and power switch lock are reset. This movement is controlled by two independent return springs. This position results in the machine stopping and the power switch being locked.

### Blade guard

This guard is fitted above the cutting blade and is designed to prevent parts of the blade or cutting fragments from being thrown towards the user.

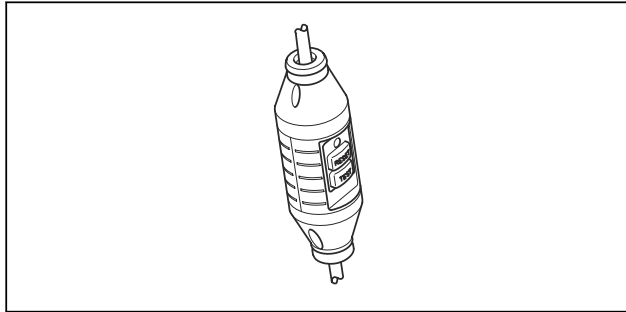




### Residual-current device

Ground fault circuit interrupters are for protection in case an electrical fault should occur.

The LED indicates that the ground fault circuit interrupter is on and that the machine can be switched on. If the LED is not on, push the RESET button (green).



### Safety instructions for maintenance



**WARNING:** The user must only carry out the maintenance and service work described in this Operator's Manual. More extensive work

must be carried out by an authorized service workshop.



**WARNING:** The engine should be switched off, and the stop switch in STOP position.



**WARNING:** Wear personal protective equipment. See *Personal protective equipment* on page 7.



**WARNING:** The lifespan of the product can be reduced and the risk of accidents can increase if product maintenance is not carried out correctly and if service and/or repairs are not carried out professionally. If you need further information please contact your nearest service workshop.



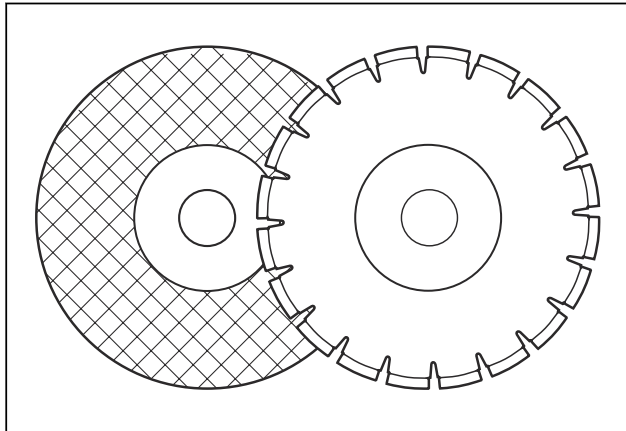
**CAUTION:** Let your Husqvarna dealer regularly check the product and make essential adjustments and repairs.

## ASSEMBLY

### Cutting blades

Husqvarna blades are high speed blades approved for hand held power cutters.

- Cutting blades are available in two basic designs: abrasive blades and diamond blades.



- High-quality blades are often most economical.
- Lower quality blades often have inferior cutting capacity and a shorter service life, which results in a higher cost in relation to the quantity of material that is cut.
- Make sure that the right bushing is used for the cutting blade to be fitted on the product. For instructions, see *To fit the cutting blade* on page 13.

### Suitable cutting blades

Cutting blades	K 4000	K 4000 with a Vac attachment
Abrasive blades	Yes*	No
Diamond blades	Yes	Yes
Toothed blades	No	No
*Without water.		

For more information, see *Technical data* on page 23.

### Cutting blades for different material



**WARNING:** Never use a cutting blade for any other materials than what it was intended to cut.



**WARNING:** Never use a diamond blade to cut plastic material. The heat produced during cutting may melt the plastic and it can stick to the cutting blade and cause a kickback.



**WARNING:** Cutting metal generates sparks that may cause fire. Do not use the product near ignitable substances or gases.



**WARNING:** Cutting metal is not allowed with the Vac attachment.

- Follow the instructions supplied with the cutting blade concerning the suitability of the blade for various applications or consult your dealer.

	Concrete	Metal	Plastic	Cast iron
<b>Abrasive blades*</b>	X	X*	X	X
<b>Diamond blades</b>	X	X**	----	X**

\*Only without the Vac attachment.

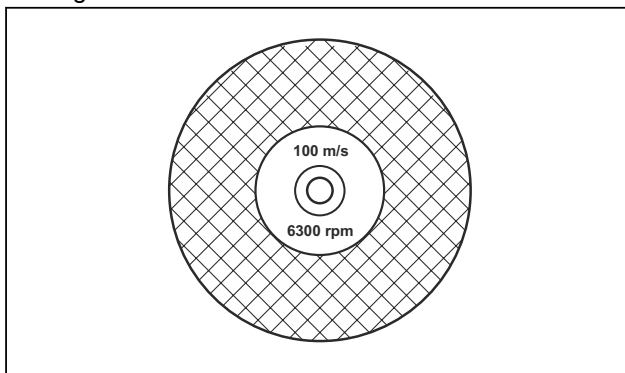
\*\*Only specialty blades. Only without the Vac attachment.

### Cutting blades for handheld high speed power cutters



**WARNING:** Never use a cutting blade with a lower speed rating than that of the power cutter. Only use cutting blades that are in compliance with national or regional standards, for example EN 13236 or EN 12413 or ANSI B7.1.

- Many cutting blades that might fit this power cutter are intended for stationary saws and have a lower speed rating than what is needed for this handheld power cutter. Cutting blades with a lower speed rating shall never be used on this power cutter.
- Husqvarna cutting blades are manufactured for high speed, portable power cutters.
- Check that the blade is approved for the same or higher speed according to the approval plate of the engine.



### Blade vibration

- The blade can become out-of-round and vibrate if an excessive feed pressure is used.
- A lower feed pressure can stop the vibration. Otherwise replace the blade.

### Abrasive blades

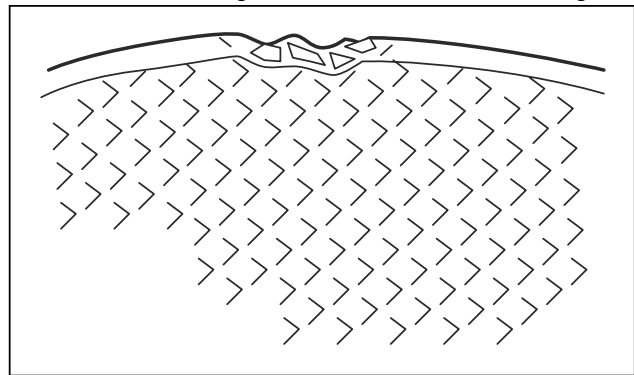


**WARNING:** Do not use abrasive blades with water. The strength is impaired when abrasive blades are exposed to water or moisture, which results in an increased risk of the blade breaking.

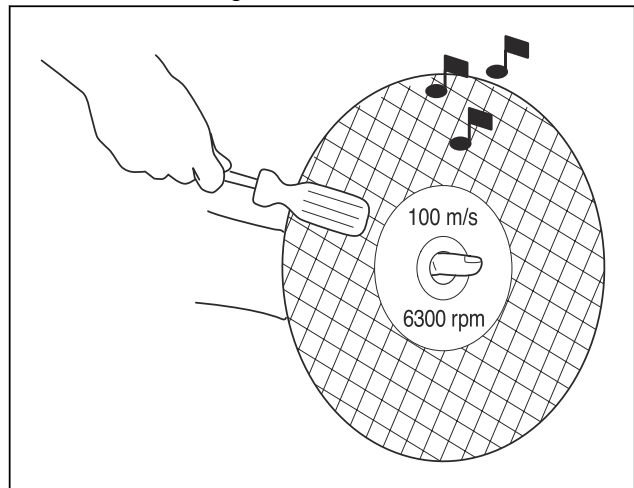


**CAUTION:** Cutting with abrasive blade is not allowed with the Vac attachment. Use of abrasive blades causes unnatural wear on the Vac attachment.

- Do not use worn reinforced wheels from larger power tools. Wheels intended for a larger power tool are not suitable for the higher speed of a smaller tool and may burst.
- The cutting material on abrasive blades consists of a grit bonded agent using an organic binder. Reinforced blades are made up of a fabric or fibre base that prevents total breakage at maximum working speed if the blade should be cracked or damaged.
- A cutting blade's performance is determined by the type and size of abrasive corn, and the type and hardness of the bonding agent.
- Ensure the cutting blade is not cracked or damaged.



- Test the abrasive blade by hanging it on your finger and tapping it lightly with a screwdriver or the like. If the blade does not produce a resonant, ringing sound it is damaged.



- Ensure that correct abrasive blade is used on the intended material.

Blade type	Material
Concrete	Concrete, asphalt, stone masonry, cast iron, aluminium, copper, brass, cables, rubber, plastic, etc.
Metal	Steel, steel alloys and other hard metals.

## Diamond blades



**WARNING:** Never use a diamond blade to cut plastic material. The heat produced during cutting may melt the plastic and it can stick to the cutting blade and cause a kickback.



**WARNING:** Diamond blades become very hot when used. An overheated blade is a result of improper use, and may cause deformation of the blade, resulting in damage and injuries.

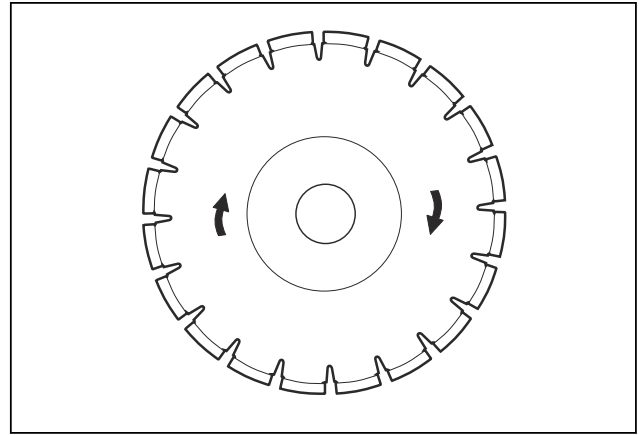


**WARNING:** Cutting metal generates sparks that may cause fire. Do not use the product near ignitable substances or gases.

**Note:** Diamond blades are available in several hardness classes.

**Note:** Sharpen the blade by cutting soft material such as sandstone or block.

- Always use a sharp diamond blade.
- Diamond blades can become dull when the wrong feeding pressure is used or when cutting certain materials such as heavily reinforced concrete. Working with a dull diamond blade causes overheating, which can result in the diamond segments coming loose.
- Diamond blades consist of a steel core provided with segments that contain industrial diamonds.
- Diamond blades are ideal for masonry, reinforced concrete and other composite materials.
- Diamond blades ensure lower costs per cutting operation, fewer blade changes and a constant cutting depth.
- Special blades should be used when cutting metal. Ask your dealer for help in choosing the right product.
- When using diamond blade make sure that it rotates in the direction indicated by the arrow on the blade.



## Diamond blades for dry cutting

- Diamond blades for dry cutting can be used both with and without water cooling.
- When dry cutting, lift the blade out from the cut every 30–60 seconds and let it rotate in the air for 10 seconds to let it cool. If this is not done, the blade will become overheated.

## Diamond blades for wet cutting

**Note:** Do not use Vac attachment when wet cutting. Wet concrete sludge considerably reduces the suction capacity of the Vac attachment.

- Diamond blades for wet cutting must be water cooled. If this is not done, the blade may be overheated.
- Water cools the blade and increases its service life while also reducing the formation of dust.
- Water cooling, which is used when cutting concrete, cools the blade and increases its service life while also reducing the formation of dust. Disadvantages include difficulties at very low temperatures, the risk of damaging floors and other structural elements, and the risk of slipping.

## Diamond blade - side clearance

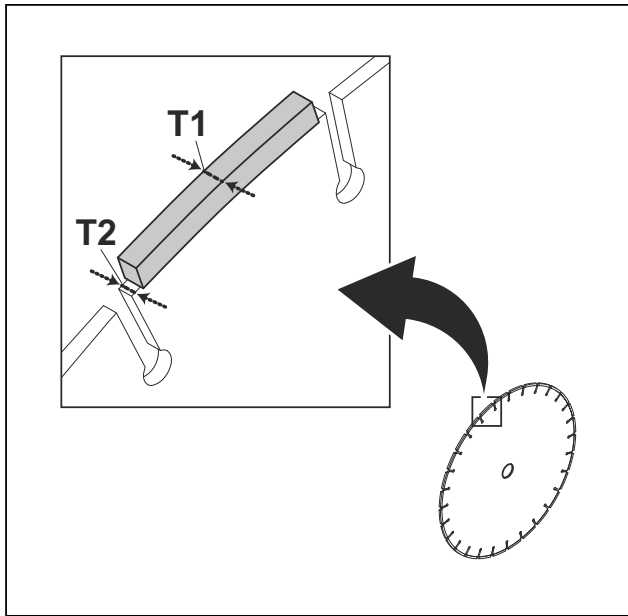


**WARNING:** Check that the diamond segment (T1) is wider than the blade core (T2) to prevent binding in the cutting slot and a kickback.

Replace the blade before it is completely worn out.



**CAUTION:** Certain cutting situations or poor blades may cause excessive wear on the side of the segments.



Some Husqvarna blades are available with side clearance wear indicators to help determine a blade's lifespan.

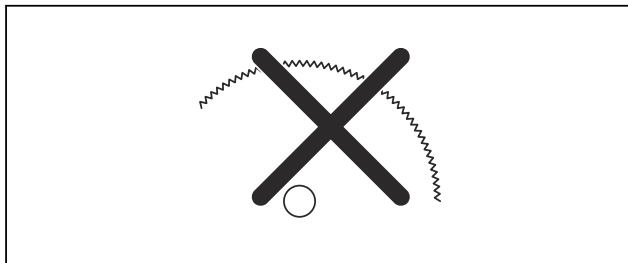
### Toothed blades



**WARNING:** Never use toothed blades such as wood cutting blades, circular toothed blades, carbide tipped blades, etc. The risk of kickback is significantly increased and tips can be torn off and thrown at high speed. Carelessness can result in serious personal injury or even death.



**WARNING:** Government regulation requires a different type of guarding for carbide tipped blades not available on power cutters – a 360 degree guard. Power Cutters (this saw) use abrasive or diamond blades and have a different guarding system which does not provide protection against the dangers presented by wood cutting blades.



Use of this power cutter with a carbide tipped blade is a violation of work safety regulations.

Due to the hazardous nature and exigent circumstances involved with fire fighting and rescue operations conducted by the various highly trained public safety forces, safety professionals (fire departments), Husqvarna is aware that they may use this power cutter

with carbide tipped blades in certain emergency situations due to the ability of carbide tipped blades to cut many different types of obstructions and materials in combination without having to take time to switch blades or machines. When using this power cutter be aware at all times that carbide tipped blades are more kickback prone than abrasive or diamond blades if not used properly. Carbide tipped blades can also throw pieces of material away from the blade.

For these reasons, a power cutter equipped with a carbide tipped blade should never be used except by highly trained public safety professionals who are aware of the risks associated with its use and then only in those exigent circumstances when other tools are deemed inefficient and ineffective for fire or rescue operations. A power cutter equipped with a carbide tipped blade should never be used to cut wood in non-rescue operations.

### To examine the spindle shaft and flange washers

Examine the flange washers and the spindle shaft when the blade is replaced.



**CAUTION:** Use only flange washers supplied by Husqvarna with minimum diameter 105mm/4.1in.

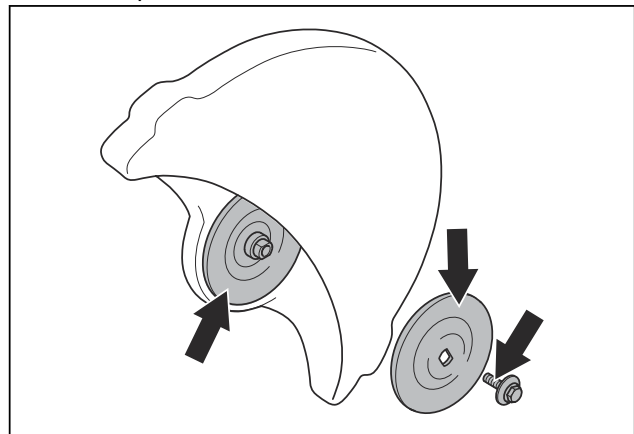


**CAUTION:** Do not use warped, notched, indented or dirty flange washers.



**CAUTION:** Do not use different dimensions of flange washers.

1. Make sure that the threads on the spindle shaft are undamaged.
2. Make sure that the contact surfaces on the blade and the flange washers are undamaged, of the correct dimension, clean, and that they run properly on the spindle shaft.



### To examine the arbor bushing

Make sure the arbor bushings fit to the centre hole on the cutting blade.

The product is supplied with either a fixed bushing or a bushing that can be flipped over to fit either 20 mm or 1 in (25,4 mm) center holes.

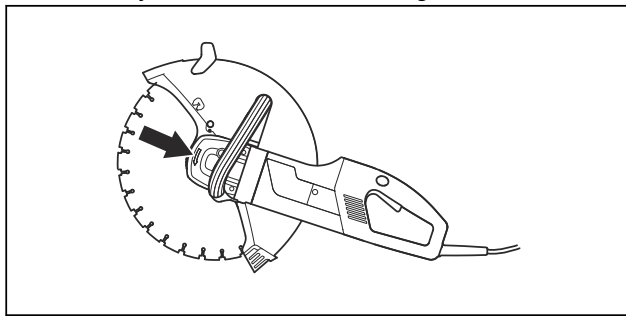
- Make sure the bushing on the spindle shaft of the product corresponds with the centre hole on the cutting blade.

The blades are marked with the diameter of the centre hole.

## To examine the direction of the cutting blade rotation

If a diamond blade is used, make sure that it rotates in the direction indicated by the arrow on the blade.

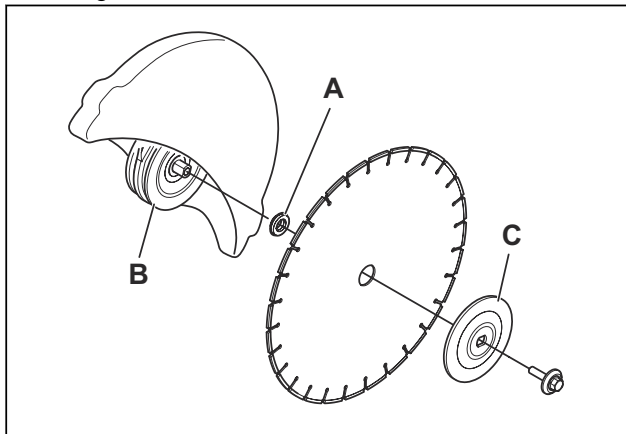
- Examine the direction of the cutting blade rotation shown by the arrows on the cutting arm.



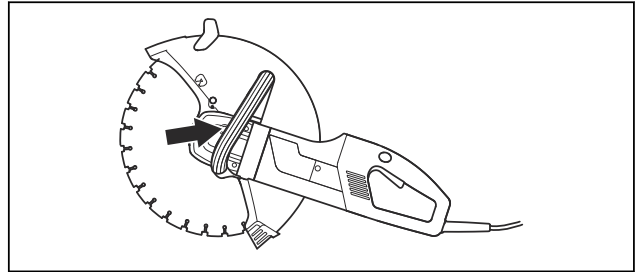
## To fit the cutting blade

The tightening torque for the bolt holding the cutting blade is 25Nm (18,5ft-lbs).

The cutting blade is placed on the bushing (A) between the inner flange washer (B) and the flange washer (C). The flange washer is turned so that it fits on the axel.



1. Lock the cutting blade/axel with the locking button on the rear of the machine. The button is reset when released.



## To adjust the blade guard



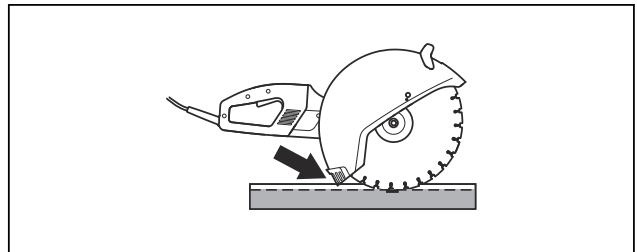
**WARNING:** Always make sure that the blade guard is correctly fitted before starting the product.

The guard for the cutting equipment should be adjusted so that the rear section is flush with the work piece.

Spatter and sparks from the cut material are then collected by the guard and moved away from the user.

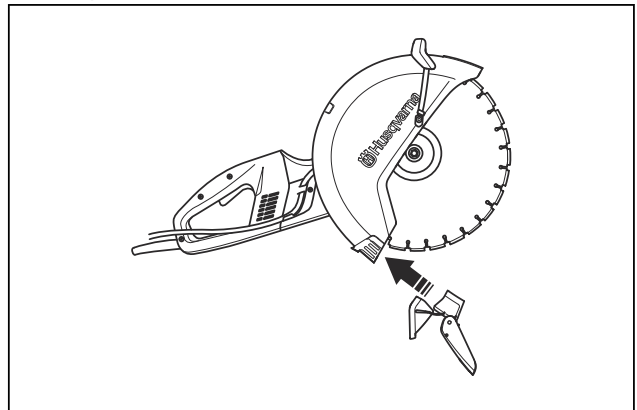
The blade guard is friction locked.

1. Press the ends of the guard against the work piece or adjust the guard with the adjustment handle.

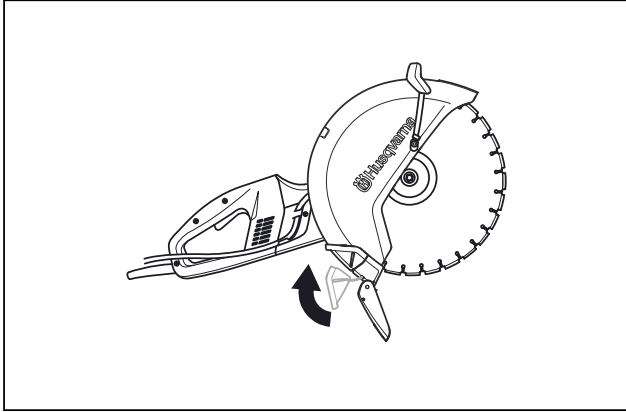


## To adjust the splash guard

1. Slide the splash guard into the slots at the back of the protective cover on the cutting blade.



2. Make sure the locking catch rests upon the lug on the cover. Flip up the locking catch and push it against the protective cover.



## OPERATION

### Basic working techniques



**WARNING:** Do not pull the power cutter to one side. This can cause the blade to jam or break, resulting in injury.



**WARNING:** Do not grind with the side of the blade. Grinding causes breaks or damage. Only use the cutting section.



**WARNING:** Before entering an existing slot made by another blade, check that the slot is not thinner than your blade as that may result in binding in the cutting slot and a kickback.



**WARNING:** Never use a diamond blade to cut plastic material. The heat produced during cutting may melt the plastic and it can stick to the cutting blade and cause a kickback.



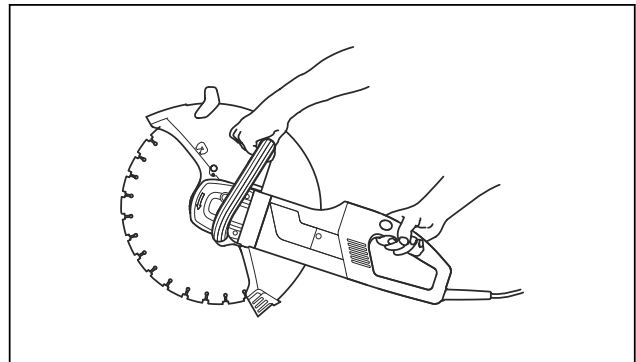
**WARNING:** Cutting metal generates sparks that may cause fire. Do not use the product near ignitable substances or gases.



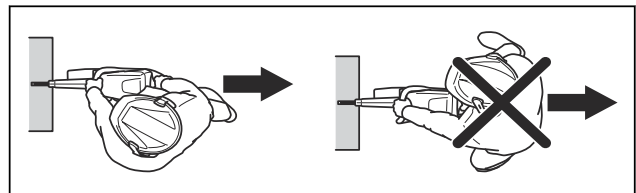
**WARNING:** Cutting metal is not allowed with the Vac attachment.

- The product is designed and intended for cutting with abrasive blades or diamond blades intended for high speed handheld products. The product shall not be used with any other type of blade, or for any other type of cutting.

- Check that the cutting blade is fitted correctly and does not show signs of damage. See *Cutting blades on page 9* for instructions.
- Check that the correct cutting blade is used for the application in question. See *Cutting blades on page 9* for instructions.
- Never cut asbestos materials!
- Hold the saw with both hands; keep a firm grip with thumbs and fingers encircling the handles. The right hand should be on the rear handle and the left hand on the front handle. All operators, whether right or left handed shall use this grip. Never operate a power cutter holding it with only one hand.

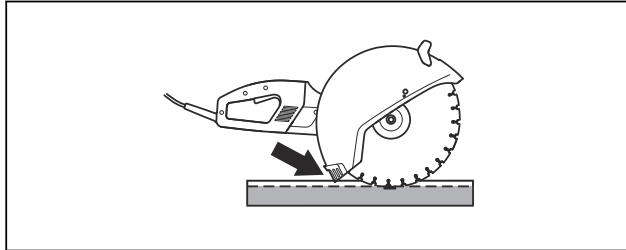


- Stand parallel to the cutting blade. Avoid standing straight behind. In the event of a kickback the saw will move in the plane of the cutting blade.

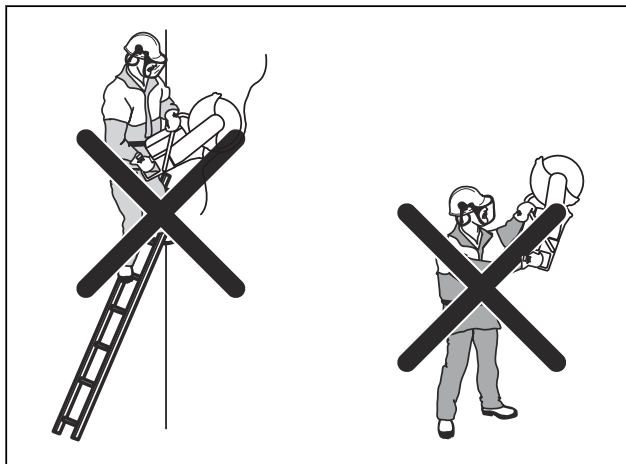


- If the blade is binding in the cut or when aborting a cut, release the throttle and wait until the blade stops. Do not extract the blade from the cut while the blade is in motion otherwise kickback may occur.

- Maintain a safe distance from the cutting blade when the engine is running. Do not try to stop a rotating blade with any part of your body.
- Never move the machine when the cutting equipment is rotating. Be sure that the blade has come to a complete stop before the machine is put on the ground.
- The guard for the cutting equipment should be adjusted so that the rear section is flush with the work piece. Spatter and sparks from the material being cut are then collected up by the guard and led away from the user. The guards for the cutting equipment must always be fitted when the product is running.

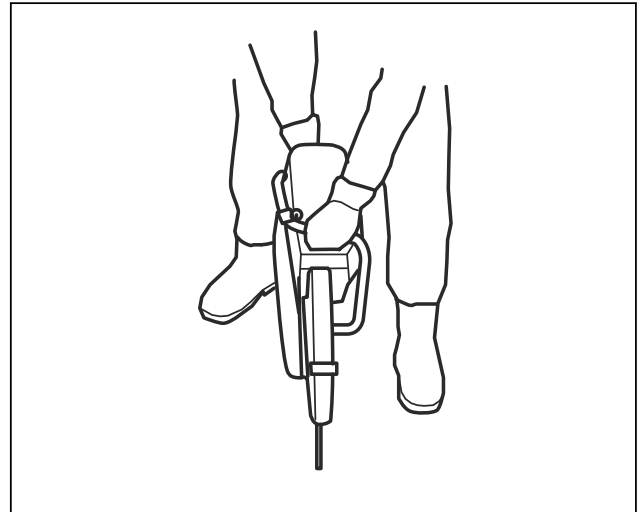


- Never use the kickback zone of the blade for cutting. See *Kickback on page 16* for instructions.
- Use extra caution when making a "pocket cut" into existing walls or other blind areas. The protruding wheel may cut gas or water pipes, electric wiring or objects that can cause kickback.
- Keep a good balance and a firm foothold.
- Never cut above shoulder height.
- Never cut from a ladder. Use a platform or scaffold if the cut is above shoulder height.

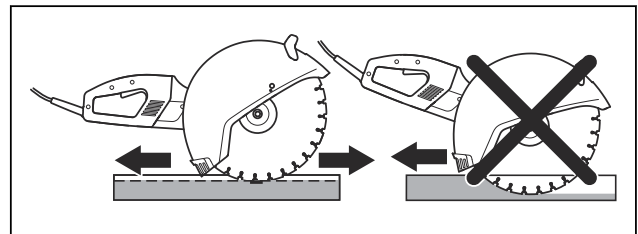


- Do not overreach.
- Stand at a comfortable distance from the work piece.
- Always ensure you have a safe and stable working position.
- Check that the blade is not in contact with anything when the product is started.
- Apply the cutting blade gently with high rotating speed (full throttle). Maintain full speed until cutting is complete.
- Let the product work without forcing or pressing the blade.

- Feed down the product in line with the blade. Pressure from the side can damage the blade and is very dangerous.



- Move the blade slowly forwards and backwards to achieve a small contact area between the blade and the material to be cut. This reduces the temperature of the blade and ensures effective cutting.



## Power tool use and care

- **Do not force the power tool. Use the correct power tool for your application.** The correct power tool will do the job better and safer at the rate for which it was designed.
- **Do not use the power tool if the switch does not turn it on and off.** Any power tool that cannot be controlled with the switch is dangerous and must be repaired.
- **Disconnect the plug from the power source and/or the battery pack from the power tool before making any adjustments, changing accessories, or storing power tools.** Such preventive safety measures reduce the risk of starting the power tool accidentally.
- **Store idle power tools out of the reach of children and do not allow persons unfamiliar with the power tool or these instructions to operate the power tool.** Power tools are dangerous in the hands of untrained users.
- **Maintain power tools. Check for misalignment or binding of moving parts, breakage of parts and any other condition that may affect the power tool's operation. If damaged, have the power tool repaired before use.** Many accidents are caused by poorly maintained power tools.

- **Keep cutting tools sharp and clean.** Properly maintained cutting tools with sharp cutting edges are less likely to bind and are easier to control.
- **Use the power tool, accessories and tool bits, etc. in accordance with these instructions, taking into account the working conditions and the work to be performed.** Use of the power tool for operations different from those intended could result in a hazardous situation.
- Under no circumstances should you modify the original design of the machine without approval from the manufacturer. Always use original spare parts. Unauthorized modifications and/or accessories may lead to serious injury or death to the user or others.
- Make sure that no pipes or electrical cables are routed in the working area or in the material to be cut.
- Always check and mark out where gas pipes are routed. Cutting close to gas pipes always entails danger. Make sure that sparks are not caused when cutting in view of the risk of explosion. Remain concentrated and focused on the task. Carelessness can result in serious personal injury or death.
- The guard for the cutting equipment must always be on when the machine is running.

## Service

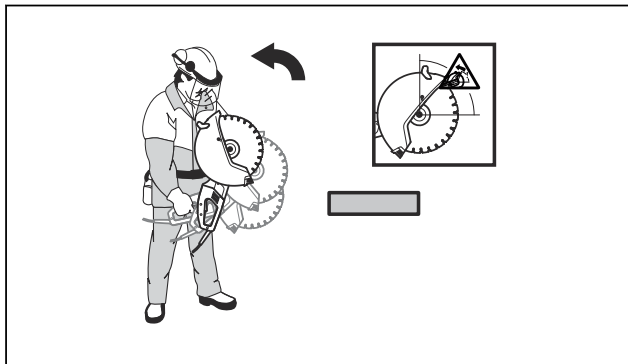
- Have your power tool serviced by a qualified repair person using only identical replacement parts. This will ensure that the safety of the power tool is maintained.

## Kickback



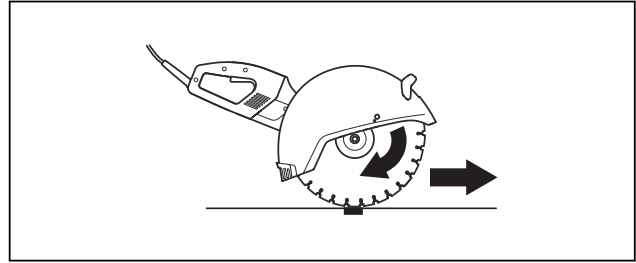
**WARNING:** Kickbacks are sudden and can be very violent. The power cutter can be thrown up and back towards the user in a rotating motion causing serious or even fatal injury. It is vital to understand what causes kickback and how to avoid it before using the product.

Kickback is the sudden upward motion that can occur if the blade is pinched or stalled in the kickback zone. Most kickbacks are small and pose little danger.



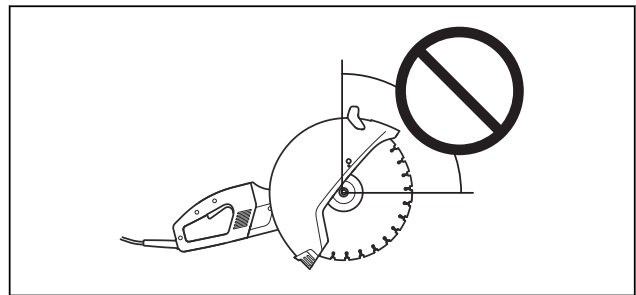
Reactive force

- A reactive force is always present when cutting. The force pulls the product in the opposite direction of the blade rotation. Most of the time this force is insignificant. If the blade is pinched or stalled the reactive force will be strong and you might not be able to control the power cutter.



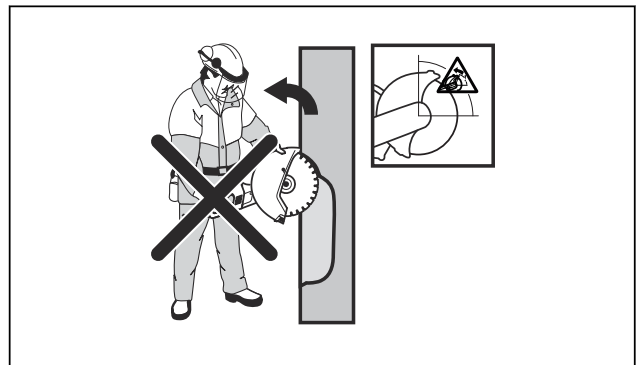
### Kickback zone

- Never use the kickback zone of the blade for cutting. If the blade is pinched or stalled in the kickback zone, the reactive force will push the power cutter up and back towards the user in a rotating motion causing serious or even fatal injury.



### Climbing kickback

- If the kickback zone is used for cutting, the reactive force drives the blade to climb up in the cut. Do not use the kickback zone. Use the lower quadrant of the blade to avoid climbing kickback.

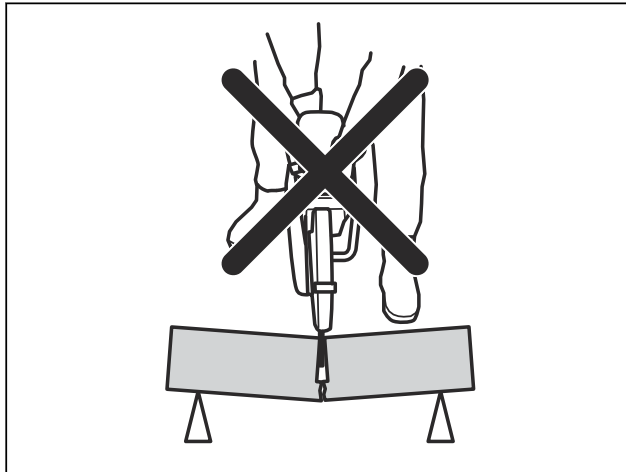


### Pinching kickback

- Pinching is when the cut closes and pinches the blade. If the blade is pinched or stalled the reactive



force will be strong and you might not be able to control the power cutter.



- If the blade is pinched or stalled in the kickback zone, the reactive force will push the power cutter up and back towards the user in a rotating motion causing serious or even fatal injury.

### To cut in pipes



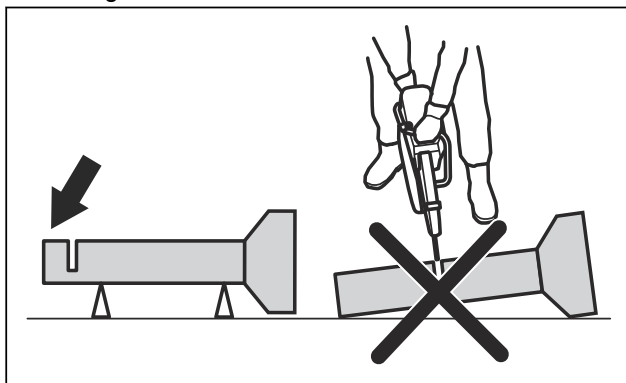
**WARNING:** If the blade is pinched in the kickback zone it will cause a severe kickback.



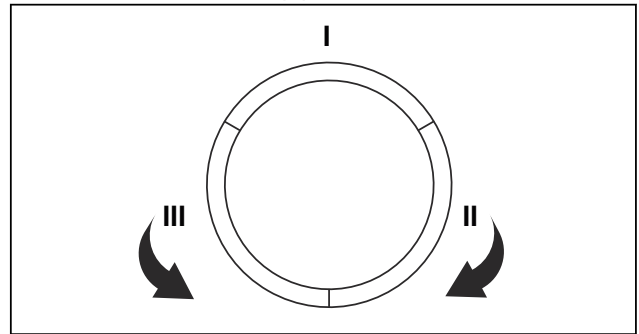
**WARNING:** Make sure the pipe is properly supported so that the end of the pipe moves downward when cutting.

Special care should be taken when cutting in pipes. If the pipe is not properly supported and the cut kept open throughout the cutting the blade might be pinched. Be especially alert when cutting a pipe with a belled end or a pipe in a trench that, if not properly supported, may sag and pinch the blade.

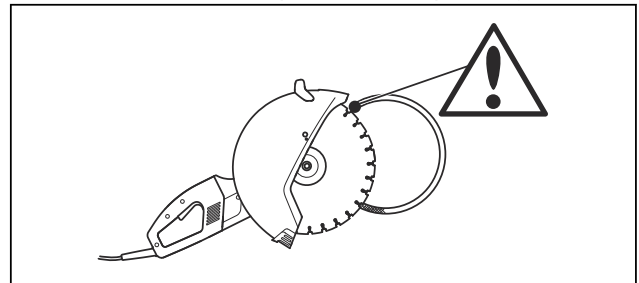
1. Secure the pipe so it does not move or roll during cutting.



2. Cut section "I" of the pipe.



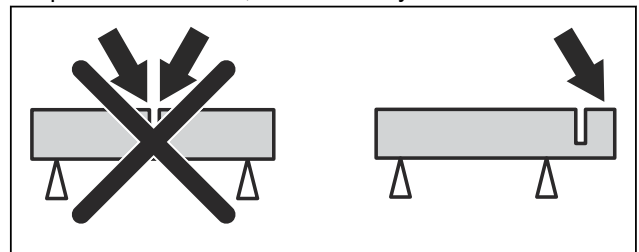
3. Ensure that the cut opens to avoid pinching.



4. Move to section "II" and cut from section I to bottom of the pipe.
5. Move to section "III" and cut the remaining part of the pipe ending at the bottom.

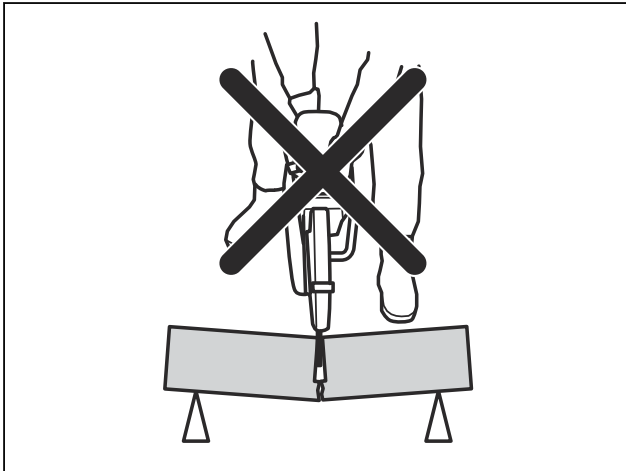
### To avoid kickback

1. Always support the work piece so that the cut can keep open when cutting through. When the cut is open, there is no kickback. If the cut is closed and pinches the blade, there is always a risk of kickback.



2. Be careful when you put the blade in an existing cut.

3. Be careful of the movement of the work piece or anything else that can occur. The movement or anything else could cause the cut to close and pinch the blade.



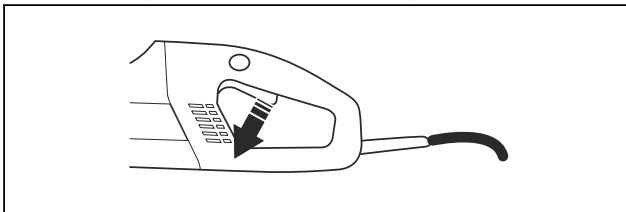
4. Do not allow the pipe to sag and close the cut. Otherwise the blade can be pinched in the kickback zone and a severe kickback can occur.
5. Properly support the end of the pipe to let it move downward, so that the cut can be open and pinching will not occur.

### To examine the power switch



**WARNING:** A defective power switch should be replaced by an authorized service workshop.

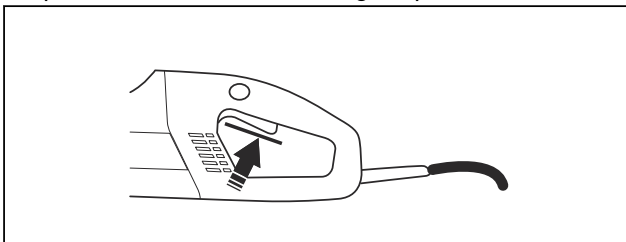
1. Start the product and release the power switch.



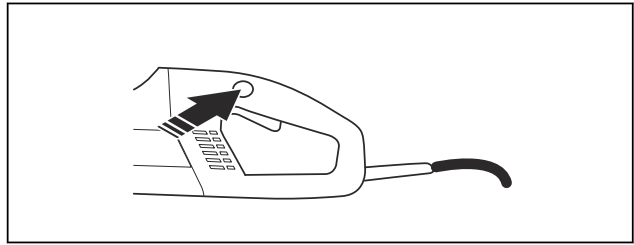
2. Make sure that the engine and the cutting blade stop.

### To examine the power switch lock

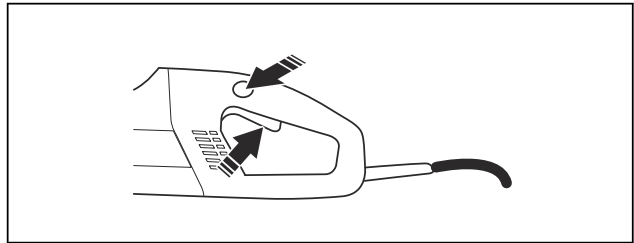
1. Make sure the power switch is locked when the power switch lock is in its original position.



2. Press in the power switch lock and make sure it returns to its original position when you release it.



3. Make sure the power switch and power switch lock move freely and that the return springs work properly.



4. Start the product, release the power switch and make sure that the engine and the cutting blade stop.

### To examine the blade guard

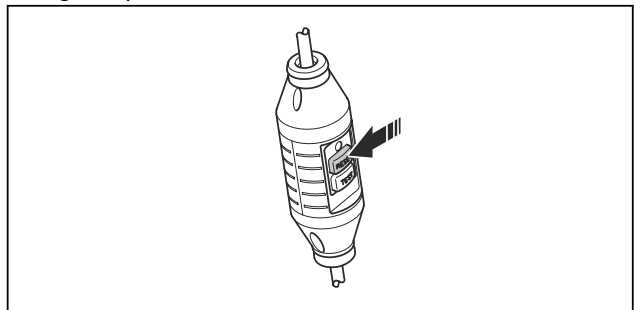


**WARNING:** Always make sure that the blade guard is correctly fitted before starting the product. Make sure that the cutting blade is fitted correctly and does not show signs of damage. A damaged cutting blade can cause personal injury. See instructions under the heading Assembly.

- Make sure that the guard is complete and without any cracks or deformations.

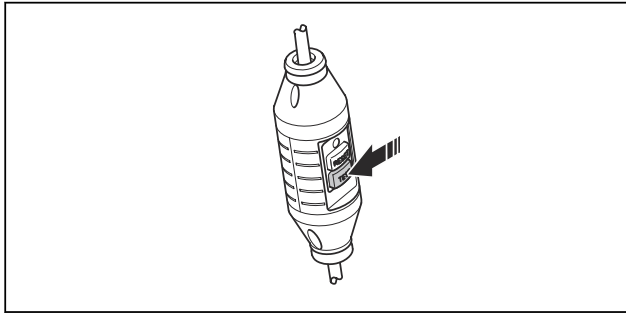
### To check the residual-current device

1. Connect the machine to the socket.
2. Push the RESET button (green) and the red LED lights up.



3. Start the machine.

4. Push the TEST button (blue).



5. The ground fault circuit interrupter should trip and the machine switch off instantly. If not, contact your dealer.
6. Push the RESET button (green).

## Before starting



**WARNING:** Please read the operator's manual carefully and make sure you understand the instructions before using the product.



**WARNING:** Wear personal protective equipment. See *Personal protective equipment* on page 7.



**WARNING:** Make sure no unapproved persons are in the working area, otherwise there is a risk of serious personal injury.

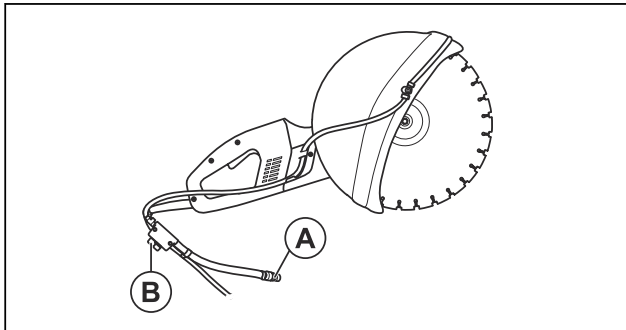


**WARNING:** Make sure the mains voltage agrees with the value on the rating plate on the product.

Perform daily maintenance. See section *MAINTENANCE* on page 20.

## To connect water

1. Connect the water hose to the water supply (A).



2. Turn the water tap (B) to let the water go or stop.

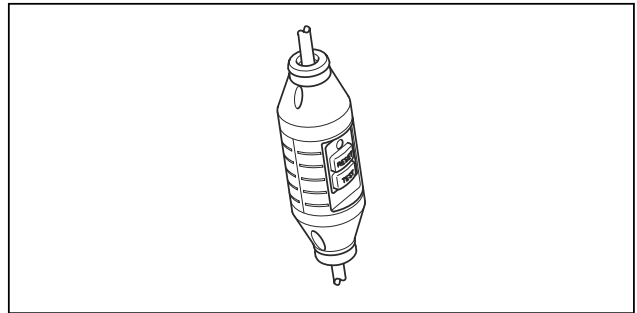
## To switch on the ground fault circuit interrupter



**WARNING:** Never use the tool if the ground fault circuit interrupter is not delivered with

the tool. Carelessness can cause serious personal injury or even death.

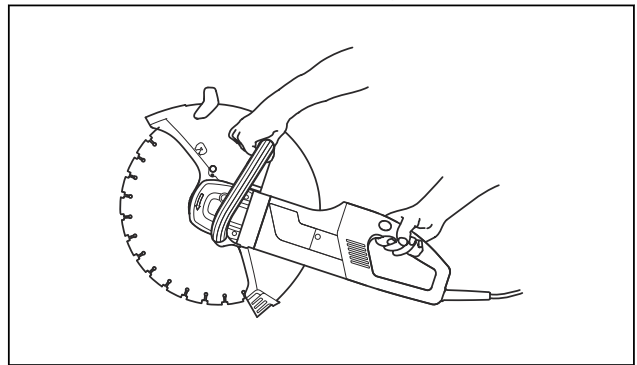
1. Make sure the ground fault circuit interrupter is closed.



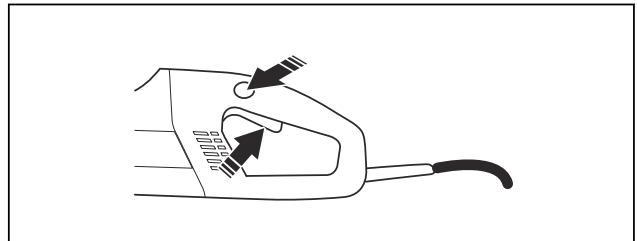
2. Start the product. If the LED is not illuminated, push the RESET button (green).
3. Examine the ground fault circuit interrupter.

## To start the product

1. Hold the front handle with the left hand.
2. Hold the rear handle with the right hand.



3. Push the power switch lock in with your right-hand thumb and push the power switch.



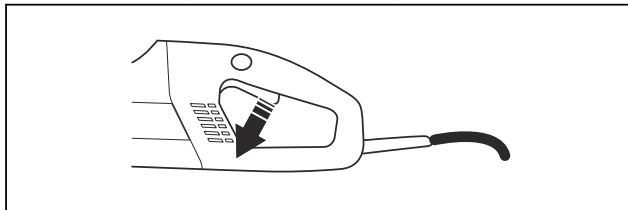
4. Operate the product without load in a safe manner for at least 30 seconds.

## To stop the product



**WARNING:** The cutting blade continues to rotate up to a minute after the motor stops (known as blade coasting.) Make sure that the cutting blade can rotate freely until it completely stops. Carelessness can cause serious personal injury.

1. Release the power switch to stop the motor.



## MAINTENANCE

### Maintenance schedule

In the maintenance schedule you can see which parts of your product the maintenance is necessary. You can

also see with which intervals the maintenance should be done. The intervals are calculated based on daily use of the product, and may differ if the rate of usage changes.

	Daily	Weekly / 40 hours	Yearly
<b>Cleaning</b>	External cleaning		
	Cooling air intake		
<b>Functional inspection</b>	General inspection	Carbon brushes	
	Power switch*		
	Power switch lock*		
	Blade guard*		
	Cutting blade**		
	Water delivery system		
<b>Change</b>			Gearbox grease
*See instructions in the section <i>Safety devices on the product on page 8.</i>			
** See instructions in the section <i>Cutting blades on page 9.</i>			

### Cleaning procedures

#### To do external cleaning



**WARNING:** Do not use a high pressure washer to flush the inner part of the product.

The product is resistant to damp air and splashes during the cutting process. When you cut materials such as concrete or brick which can contain salt, you must flush the product after the work. The cleaning reduces the risk of accretions inside the engine. The accretions inside the engine can cause leakage current between electric components. The leakage current can cause the ground fault circuit interrupter to trip accidentally.

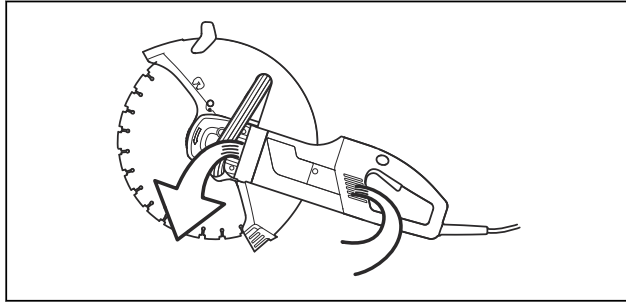
1. Flush the product daily with clean water after the work.
2. Position the product with the rear handle facing upwards.

3. Flush the air intakes at the rear handle with clean water. The water will run out through the front air outlets.
4. Connect the plug and operate the engine dry for approximately 30 seconds in order to increase the speed of drying the engine.

#### To clean the cooling air intake

The product has a fan to let the temperature of the motor decrease. Operate the rear handle of the product to absorb the cooling air through the grille. The air can pass over the stator and rotor and out through the front of the motor housing.

1. Always keep the cooling air openings clear and clean to cool the product sufficiently.



2. Blow the compressed air regularly into the product.

## Functional inspections

### To do a general function inspection

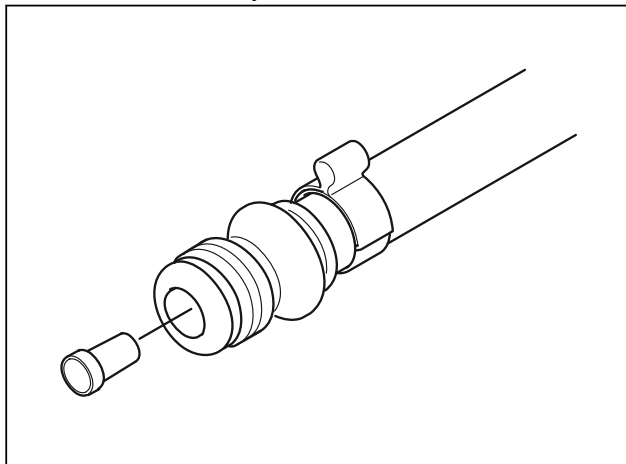


**WARNING:** Never use damaged cables. They can cause serious, even fatal, personal injuries.

1. Make sure the cord and extension cord are intact and in good condition. Never use the product if the cord is damaged, you must hand it to an approved service workshop for repair.
2. Make sure the nuts and screws are tight.

### To inspect the water delivery system

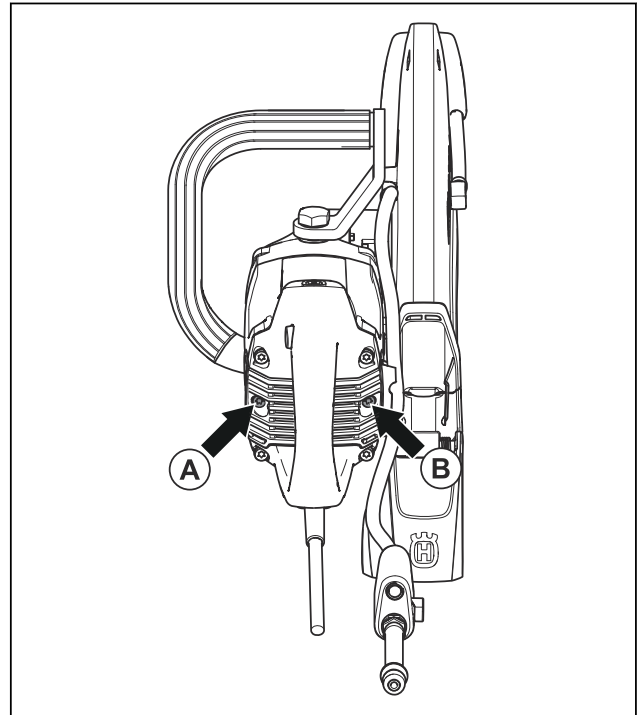
1. Check the nozzles on the blade guard are not clogged.
2. Clean as necessary.
3. Check that the filter on the water connector is not clogged.
4. Clean as necessary.



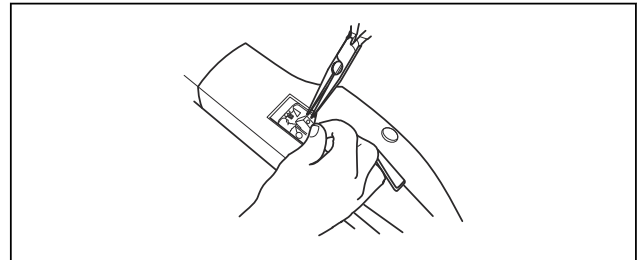
### To replace the carbon brushes

Replace the carbon brushes if they are worn, cracked or in any other way damaged. Replace all carbon brushes at the same time.

1. Loosen both screws (A) and (B) to remove the inspection cover.



2. Remove the cable that holds the carbon brush.



3. Lift the spring and then remove the carbon brush from the brush retainer.
4. Clean the brush retainers with a dry brush.
5. Carefully blow away the dust.
6. Install the new carbon brushes and, at the same time, make sure they slide easily in the brush retainers.
7. Fold down the springs and tighten the cable.
8. Operate the new carbon brushes for approximately 40 minutes while idling.

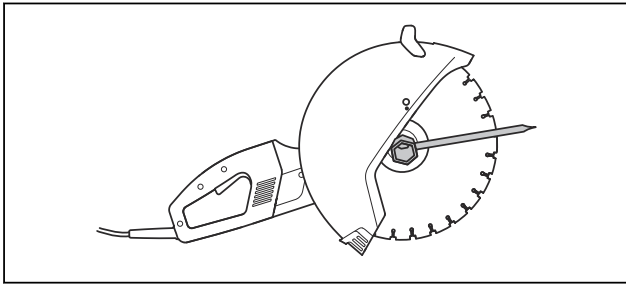
### To fill gearbox grease

Do not fill the gear housing fully with grease. The grease expands while the temperature of the product increases during operation. If you fill the gear housing fully with grease, it could cause damage to the seals and leakage of grease.

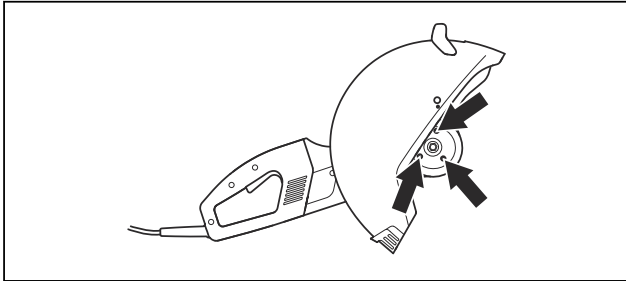
The gear housing should contain 90 g (0.2 lb) of grease in total. Use only grease that is recommended by Husqvarna.

You must disassemble the parts that follow to replace the grease in the gear housing:

1. Disassemble the flange washers that hold the cutting blade.

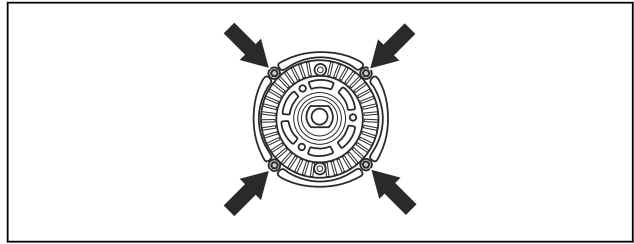


2. Disassemble the sealing ring.
3. Disassemble the support flange for the guard.

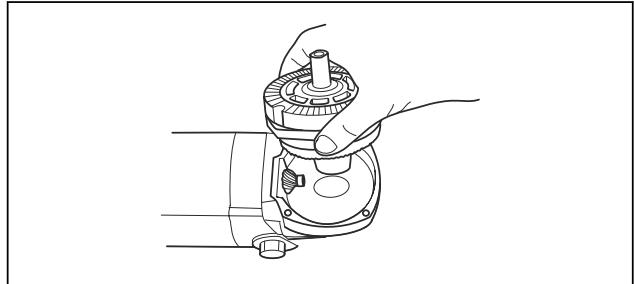


4. Disassemble the blade guard.

5. Remove the four screws that hold the shield.



6. Lift the shield together with the drive wheel unit out of the gear housing.



7. Wipe out the grease and fill the gear housing with new and good quality gear grease.

## TRANSPORTATION, STORAGE AND DISPOSAL

### Transportation

#### Transportation of product

- Secure the product during transportation in order to avoid transport damage and accidents.

#### Transportation of cutting blades

- Do not transport the power cutter with the cutting blade fitted. Remove all the cutting blades from the power cutter after use.
- Inspect new blades for transport damage.

### Storage

#### Storage of the product

- Store the product in a lockable area so that it is out of reach of children and unauthorized persons.

#### Storage of cutting blades

- Do not store the power cutter with the cutting blade fitted. Remove all the cutting blades from the power cutter after use and stored them carefully.
- Store the cutting blades in dry, frost free conditions. Take special care of the abrasive blades. The abrasive blades must be stored on a flat, level surface. If an abrasive blade is stored in humid

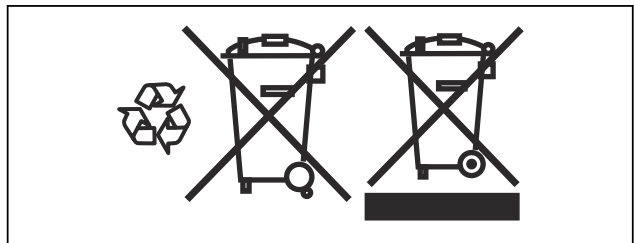
conditions, this can cause imbalance and result in injury.

- Inspect new blades for storage damage.

### Disposal

Symbols on the product or the packaging of the product indicate that this product cannot be handled as domestic waste. It must be submitted to an appropriate recycling station for the recovery of electrical and electronic equipment.

By ensuring that this product is taken care of correctly, you can help to counteract the potential negative impact on the environment and people that can otherwise result through the incorrect waste management of this product. For more detailed information about recycling this product, contact your municipality, your domestic waste service or the shop from where you purchased the product.



## TECHNICAL DATA

### Technical data

<b>K 4000</b>		
Protection class		I
Max. speed of output shaft, rpm	120V, 60Hz	3400
	230V, 50Hz	3600
<b>Rated voltage, V</b>		
Europe		230
United Kingdom and Ireland		110
USA / Canada / Japan		100-120
Australia		230
<b>Rated output, W</b>		
Europe	230V, 50Hz	2700/12 A
United Kingdom and Ireland	110V, 50Hz	2200/20 A
USA / Canada / Japan	100-120V, 50-60Hz	15 A
Australia	230V, 50Hz	2300/10 A
<b>Weight</b>		
Machine without cable package, without blade and Vac attachment, kg (lbs)		7.6 (16.7)
<b>Water cooling</b>		
Water cooling of blade		Yes
Connecting nipple		Type "Gardena"
Recommended water pressure, bar (PSI)		0.5-8 (7.3-116)
<b>Noise emissions (see Note 1)</b>		
Sound power level, measured dB (A)		104
Sound power level, guaranteed L <sub>WA</sub> dB (A)		105
<b>Sound levels (see Note 2)</b>		
Equivalent sound pressure level at the operator's ear, dB (A)		95
<b>Equivalent vibration levels, a<sub>hveq</sub> (see Note 3)</b>		
Front handle, m/s <sup>2</sup>		3.5
Rear handle, m/s <sup>2</sup>		3.5

**K 4000**

**Note 1:** Noise emissions in the environment measured as sound power (LWA) in conformity with directive 2000/14/EC. The difference between guaranteed and measured sound power is that the guaranteed sound power also includes dispersion in the measurement result and the variations between different products of the same model according to directive 2000/14/EC.

**Note 2:** Equivalent sound pressure level, according to EN ISO 19432, is calculated as the time-weighted energy total for different sound pressure levels under various working conditions. Reported data for equivalent sound pressure level for the product has a typical statistical dispersion (standard deviation) of 1 dB (A).

**Note 3:** Equivalent vibration level, according to EN ISO 19432, is calculated as the time-weighted energy total for vibration levels under various working conditions. Reported data for equivalent vibration level has a typical statistical dispersion (standard deviation) of 1 m/s<sup>2</sup>.

## Recommended abrasive and diamond cutting blade

Cutting blade, mm (inch)	350 (14)
Max. peripheral speed, m/s (ft/s)	100 (19600)
Max. blade speed, rpm	3900
Max. cutting depth, mm (inch)	125 (4 59/64)
Max. cutting depth with the Vac attachment, mm (inch)	119 (4 11/16)



**CAUTION:** The below recommendations apply to minimum cable area relative to the maximum extension cable. Follow the recommendations to avoid impaired performance and damage to the product.

Cable area	1,5 mm <sup>2</sup>	2,5 mm <sup>2</sup>
Input voltage 100-120 V	20 m	40 m
Input voltage 220-240 V	30 m	50 m

## US WARRANTY STATEMENT

### Warranty policy

All warranty claims will be determined after inspection at a designated facility. A Returned Goods Authorization is required for all warranty claims. Contact Husqvarna Customer Service Department at 800-845-1312 for an RGA. The customer must prepay the freight and absorb any labor expense required to return or replace a product submitted for warranty consideration. Husqvarna will pay return shipping expenses for repaired or approved replacement products.

### EQUIPMENT

Equipment manufactured by Husqvarna is warranted to be free from manufacturing defects in normal service for

a period of two (2) years from date of purchase by the original consumer purchaser. Component manufacturers offer separate warranty periods. Call Technical Services at 800-288-5040 for complete information.

Our obligation under this warranty is expressly limited to the replacement or repair at Husqvarna Construction Products North America, Olathe, Kansas 66061, or at a service facility designated by us, of such part or parts as inspection shall disclose to have been defective.

This warranty does not apply to defects caused by damage, unreasonable use, faulty repairs made by others than an approved Husqvarna servicing dealer, or defects caused by failure to provide reasonable maintenance, while in the possession of the consumer. Further, the warranty is void if the product, or any of its



components, are altered or modified by the consumer purchaser, or if the product is used in an inappropriate manner or with tools not recommended by the manufacturer.

**Exceptions:** Drill motors - 3 months, Wall saws - 1 year, Power cutters - 3 months, DM230 - 1 year, DM225 - 3 months, Gyro systems - 1 year, CD40 system - 1 year, DS160 C - 1 year, Smart box - 1 year, CS2515 - 1 year, PP455 E - 1 year, PP345 E - 1 year, HP40 - 1 year.

**Wear items:** Filters, spark plugs, bearings\*, belts, wheels\*\* and wear pads.

\*Except IntelliSeal™ system. \*\*Except delamination.

---

## Contenido

---

INTRODUCCIÓN.....	26	TRANSPORTE, ALMACENAMIENTO Y ELIMINACIÓN.....	47
SEGURIDAD.....	28	DATOS TÉCNICOS.....	48
ARMADO.....	33	DECLARACIÓN DE GARANTÍA DE ESTADOS UNIDOS.....	49
FUNCIONAMIENTO.....	39		
MANTENIMIENTO.....	45		

---

## INTRODUCCIÓN

---

### Responsabilidad del propietario

---



**ADVERTENCIA:** Cuando corta con la máquina, especialmente cuando se corta EN SECO, el material que corta produce polvo que con frecuencia contiene sílice. El sílice es un componente básico de la arena, el cuarzo, la arcilla de los ladrillos, el granito y otros numerosos minerales y rocas. La exposición a una cantidad excesiva de ese polvo puede causar:

Enfermedades respiratorias, como la bronquitis crónica, la silicosis y la fibrosis pulmonar. Estas enfermedades pueden ser mortales.

Irritación cutánea y sarpullido.

Cáncer, según el NTP\* y la IARC\* \*/National Toxicology Program (Programa Nacional de Toxicología) y Centro Internacional de Investigaciones sobre el Cáncer.



**ADVERTENCIA:** Tome medidas preventivas:

Evite inhalar y que su piel entre en contacto con el polvo, el vaho y los gases.

Asegúrese de que todas las personas que se encuentren cerca utilicen la protección respiratoria adecuada, como máscaras contra polvo diseñadas para filtrar partículas microscópicas. (Consulte la normativa OSHA 29 CFR Parte 1926.1153)

Corte en húmedo cuando sea posible para reducir al mínimo las emisiones de polvo. Si el corte en seco es necesario, utilice la unidad de aspiradora.

Es responsabilidad del propietario o empleador que el usuario tenga los conocimientos necesarios sobre cómo utilizar el producto de forma segura. Los supervisores y usuarios deben haber leído y comprendido el manual de usuario. Deben tener conocimiento de lo siguiente:

- Las instrucciones de seguridad de los productos.

- La gama de aplicaciones y limitaciones de los productos.
- Cómo el producto se va a utilizar y mantener.

La legislación nacional vigente puede regular el uso de este producto. Infórmese sobre qué legislación se aplica en el lugar donde trabaja antes comenzar a utilizar el producto.

### Descripción de la máquina

La K 4000 es una cortadora manual de alta velocidad diseñada para cortar materiales sólidos como albañilería o acero. No se debe utilizar para un propósito que no esté descrito en este manual. Para el funcionamiento seguro de este producto, el usuario debe leer este manual detenidamente. Consulte a su distribuidor o a Husqvarna si necesita más información.

### Diseño y funciones

#### Características

La K 4000 está fabricada con tecnología innovadora para un alto rendimiento y fiabilidad, y proporciona soluciones técnicas avanzadas y consideraciones medioambientales.

Algunas de las características únicas de la K 4000 se describen a continuación.

#### Elgard™

Elgard™ es una protección contra sobrecarga electrónica que protege el motor. La protección protege la máquina y amplía su vida útil. Con la ayuda de Elgard™, la máquina indica cuándo se aproxima a la carga máxima.

#### Softstart™

Softstart™ es un limitador de corriente electrónico que proporciona un arranque más suave.

#### Accesorio de aspiradora (no suministrado)

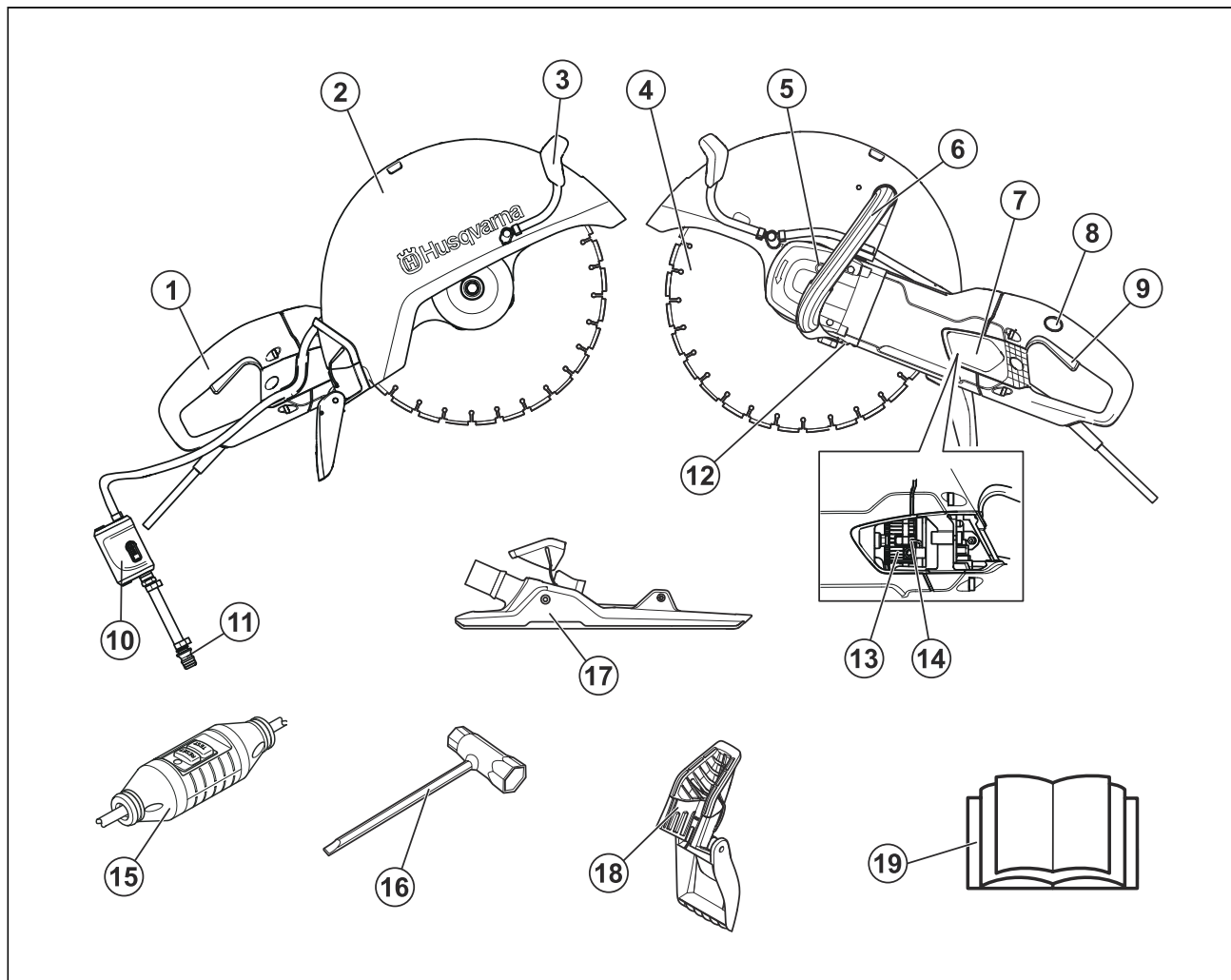
El accesorio de aspiradora se conecta fácilmente a la máquina y se conecta a la aspiradora / colector de polvo para un manejo efectivo del polvo durante el corte seco.

## Uso específico

Este producto está diseñado y previsto para cortar azulejos y piedras. No se debe usar para ningún otro propósito.

El producto está diseñado para utilizarse en aplicaciones industriales por usuarios experimentados.

## Descripción general de la máquina



1. Mango trasero
2. Protector de la cuchilla
3. Kit de agua
4. Disco de corte (no suministrado)
5. Bloqueo de eje
6. Mango delantero
7. Cubierta de inspección
8. Bloqueador de interruptor de encendido
9. Interruptor de encendido
10. Llave de agua con limitador de flujo
11. Conector de agua
12. Placa de características
13. Sujetador de cepillos
14. Cepillos de carbón
15. Dispositivo de corriente residual (no disponible para Reino Unido e Irlanda)

16. Llave combinada
17. Accesorio de aspiradora (accesorio, no suministrado)
18. Protección contra salpicaduras
19. Manual de usuario

## Símbolos en la máquina



**ADVERTENCIA:** La máquina puede ser una herramienta peligrosa si se usa incorrectamente o se manipula sin precaución, lo que puede causar lesiones graves o mortales para el operador u otras personas.



Lea atentamente el manual de instrucciones y asegúrese de que entiende las instrucciones antes de utilizar el producto.



Use equipo de protección. Consulte para obtener *Equipo de protección personal en la página 32* instrucciones.



¡ADVERTENCIA! Cuando se realizan cortes se acumula polvo, que puede causar lesiones si se inhala. Utilice una máscara respiratoria aprobada. Evite inhalar los gases de escape. Proporcione siempre una buena ventilación.



¡ADVERTENCIA! Las chispas del disco de corte pueden provocar fuego en materiales inflamables como gasolina, madera, ropa, hierba seca, etc.



¡ADVERTENCIA! Las reculadas pueden ser repentinas, rápidas y violentas, y pueden causar lesiones mortales. Lea y entienda las instrucciones del manual de instrucciones antes de utilizar el producto.



¡ADVERTENCIA! Asegúrese de que los discos de corte no tengan grietas ni daños de ningún tipo.



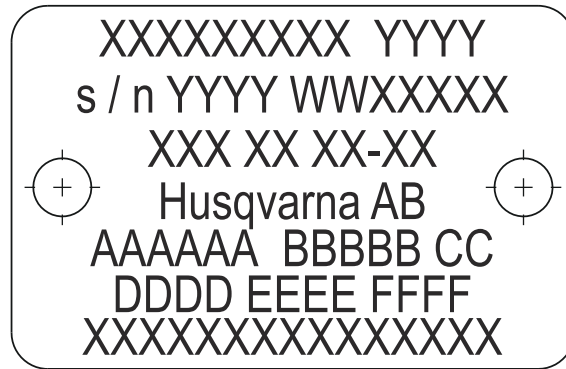
¡ADVERTENCIA! No utilice discos de sierra circulares.



Cumple con UL Std 60745-1, 60745-2-5. Certificado para CSA C22.2 nro. 60745-1, 60745-2-5.

**Tenga en cuenta:** Otros símbolos o etiquetas en el producto hacen referencia a requisitos de certificación especiales para ciertos mercados.

## Placa de identificación



Fila 1: Marca, modelo (X, Y)

Fila 2: N.º de serie con fecha de fabricación (Y, W, X): Año, semana, n.º de secuencia

Fila 3: N.º de producto (X)

Fila 4: Fabricante

Fila 5: A: Velocidad máxima de eje de salida, B: Diámetro de disco de corte, C: Diámetro de tornillo de la cuchilla

Fila 6: D: Voltaje de entrada, E: Corriente de entrada, F: Frecuencia de entrada

Fila 7: País de origen

## Responsabilidad del fabricante

Como se menciona en las leyes de responsabilidad del fabricante, no nos hacemos responsables de los daños que cause nuestro producto si:

- el producto se repara incorrectamente
- el producto se repara con piezas que no son del fabricante o que este no autoriza
- el producto tiene un accesorio que no es del fabricante o que este no autoriza
- el producto no se repara en un centro de servicio autorizado o por una autoridad aprobada.

# SEGURIDAD

## Definiciones de seguridad

Las advertencias, precauciones y notas se utilizan para señalar las piezas particularmente importantes del manual del usuario.



**ADVERTENCIA:** Se utilizan para señalar el riesgo de lesiones graves o mortales para el operador o para aquellos que se encuentren



cerca si no se siguen las instrucciones del manual.

**AVISO:** Se utilizan para señalar el riesgo de dañar el producto o accesorio, otros materiales o el área adyacente si no se respetan las instrucciones del manual.

---

**Tenga en cuenta:** Se utilizan para entregar más información necesaria en situaciones particulares.

---

## Instrucciones generales de seguridad

No es posible abordar todas las posibles situaciones que puede afrontar. Siempre tenga cuidado y use su sentido común. Si entra en una situación en la que se sienta inseguro, deténgase y busque el asesoramiento de expertos. Póngase en contacto con el distribuidor, el agente de servicio o un usuario experimentado. No intente realizar ninguna tarea en la cual se sienta inseguro.

---

**Tenga en cuenta:** Guarde todas las advertencias e instrucciones para futuras referencias.

---



**ADVERTENCIA:** Para reducir el riesgo de lesiones, el operador debe leer el manual de usuario.

---



**ADVERTENCIA:** Nunca utilice un producto que tenga un equipo de seguridad defectuoso. Si la máquina no aprueba alguna comprobación, póngase en contacto con su taller de servicio para repararla.

---



**ADVERTENCIA:** Lea atentamente el manual del usuario y asegúrese de que entiende las instrucciones antes de utilizar la máquina. Se recomienda que quienes operan la máquina por primera vez reciban también instrucciones prácticas antes de utilizar el producto.

---



**ADVERTENCIA:** Tenga en cuenta que usted, el operador, es responsable de no exponer a las personas o su propiedad a accidentes o peligros.

---



**ADVERTENCIA:** El producto se debe mantener limpio. Los avisos y los autoadhesivos deben ser perfectamente legibles.

---



**ADVERTENCIA:** La máquina puede ser una herramienta peligrosa si se usa incorrectamente o se manipula sin precaución, lo que puede causar lesiones graves o mortales para el operador u otras personas.

---



**ADVERTENCIA:** Nunca permita que los niños u otras personas no capacitadas en la utilización de este producto lo utilicen o le realicen mantenimiento.

---



**ADVERTENCIA:** La máquina no está diseñada para ser utilizada por personas (incluidos niños) con habilidades físicas, sensoriales o mentales reducidas o con falta de experiencia y conocimientos.

---



**ADVERTENCIA:** Nunca permita que otras personas utilicen el producto sin asegurarse primero de que han leído y comprendido el contenido del manual de usuario.

---



**ADVERTENCIA:** No utilice nunca el producto si está cansado, bajo la influencia del alcohol o las drogas, medicamentos o cualquier cosa que pudiera afectar su visión, vigilancia, coordinación o criterio.

---



**ADVERTENCIA:** Las modificaciones o los accesorios no autorizados pueden provocar graves lesiones o incluso la muerte al usuario u otras personas. Bajo ninguna circunstancia se puede modificar el diseño del producto sin el permiso del fabricante.

---



**ADVERTENCIA:** No modifique este producto ni lo utilice si parece haber sido modificado por otros.

---



**ADVERTENCIA:** Nunca utilice un producto que esté defectuoso. Realice las comprobaciones de seguridad, el mantenimiento y las instrucciones de servicio descritas en este manual. Especialistas capacitados y calificados deben llevar a cabo algunas medidas de mantenimiento y servicio.

---



**ADVERTENCIA:** Utilice siempre accesorios originales.

---



**ADVERTENCIA:** En este producto se genera un campo electromagnético durante su funcionamiento. Este campo puede, en determinadas circunstancias, interferir con implantes médicos activos o pasivos. Para reducir el riesgo de lesiones graves o fatales, recomendamos a las personas con implantes médicos consultar a su médico y al fabricante del implante médico antes de usar esta máquina.

---

## Instrucciones de seguridad para el montaje



**ADVERTENCIA:** Lea atentamente las siguientes instrucciones de advertencia antes de utilizar el producto.



**ADVERTENCIA:** Nunca utilice un disco de corte para cualquier otro material al que estaba destinado a cortar.



**ADVERTENCIA:** Nunca utilice una cuchilla de diamante para cortar material de plástico. El calor producido durante el corte podría derretir el plástico, que se podría pegar al disco de corte y causar una reculada.



**ADVERTENCIA:** Las cuchillas de diamante pueden calentarse bastante cuando se utilizan. Una cuchilla sobrecalentada es consecuencia de un uso incorrecto y puede ocasionar la deformación de la cuchilla, lo que puede provocar daños y heridas.



**ADVERTENCIA:** Un disco de corte puede estallar y causar lesiones al operador.



**ADVERTENCIA:** El fabricante de discos de corte emite advertencias y recomendaciones para el uso y cuidado apropiado del disco de corte. Estas advertencias se suministran con el disco de corte. Lea y siga todas las instrucciones del fabricante del disco de corte.



**ADVERTENCIA:** Un disco de corte se debe comprobar antes de su montaje en la sierra y a menudo durante su uso. Busque grietas, segmentos faltantes (hojas de diamante) o piezas rotas. No utilice un disco de corte dañado.



**ADVERTENCIA:** Pruebe la integridad de cada disco de corte nuevo haciéndolo funcionar a aceleración máxima durante aproximadamente 1 minuto.



**ADVERTENCIA:** Nunca utilice un disco de corte con una velocidad menor que la de la cortadora. Utilice solo discos de corte diseñados para cortadoras manuales de alta velocidad.



**ADVERTENCIA:** No utilice cuchillas de corte abrasivo con agua. La fuerza disminuye cuando las cuchillas de corte abrasivo se exponen al agua o a la humedad, lo que provoca un aumento en el riesgo de quiebre de la cuchilla.



**ADVERTENCIA:** Solo utilice cuchillas que cumplan con las normas/los estándares nacionales o regionales; por ejemplo, EN 13236 o EN 12413 o ANSI B7.1.



**ADVERTENCIA:** Cortar metales genera chispas que podrían provocar un incendio. No utilice la máquina cerca de sustancias o gases inflamables.



**ADVERTENCIA:** No se permite cortar metal con el accesorio de aspiradora.



**ADVERTENCIA:** Nunca utilice cuchillas dentadas, como discos de corte de madera, cuchillas dentadas circulares, discos con punta de carburo, etc. El riesgo de reculada aumenta considerablemente y las puntas se pueden romper y salir despedidas a gran velocidad. El descuido puede provocar lesiones personales graves o incluso la muerte.



**ADVERTENCIA:** Las regulaciones del gobierno requieren un tipo de protección diferente para las cuchillas con punta de carburo no disponibles en las cortadoras: una protección de 360 grados. Las cortadoras (esta sierra) utilizan hojas de diamante o de corte abrasivo y tienen un sistema de protección diferente que no proporciona protección contra los peligros que presentan los discos de corte de madera.

**Tenga en cuenta:** No se permite realizar cortes con los discos abrasivos con el accesorio de aspiradora. El uso de discos abrasivos causa un desgaste anormal en el accesorio de aspiradora.

## Instrucciones de seguridad para el funcionamiento

### Seguridad en el área de trabajo



**ADVERTENCIA:** La distancia de seguridad para la cortadora es de 15 metros (50 pies). Usted es responsable de asegurarse de que

no haya animales ni observadores dentro de la zona de trabajo. No inicie el corte hasta que la zona de trabajo esté limpia y usted se encuentre firmemente parado.

- Mantenga el área de trabajo limpia y bien iluminada.
- No opere herramientas eléctricas en atmósferas explosivas, como ante presencia de gases, polvo o líquidos inflamables.
- Mantenga alejados a niños y transeúntes mientras opera una herramienta eléctrica.
- Observe sus alrededores para asegurarse de que nada pueda afectar su control del producto.
- Asegúrese de que no haya personas u objetos que puedan entrar en contacto con el equipo de corte o recibir el impacto de piezas lanzadas por el disco.
- No utilice el producto en condiciones climáticas desfavorables, como niebla densa, lluvia intensa, vientos fuertes, frío intenso, entre otras. Trabajar con mal tiempo es agotador y puede crear condiciones peligrosas, como superficies resbalosas.
- Nunca comience a trabajar con el producto si el área de trabajo no está limpia y no tiene un punto de apoyo firme. Preste atención a los obstáculos que puedan moverse inesperadamente.
- Durante el corte, asegúrese de que ningún material se afloje y se caiga, causando lesiones al operador. Tenga sumo cuidado al trabajar en terreno inclinado.
- Asegúrese de que la zona de trabajo esté lo suficientemente iluminada para crear un entorno de trabajo seguro.
- Asegúrese de que no haya tuberías ni cables eléctricos en la zona de trabajo o en el material que se va a cortar.
- Si está cortando un recipiente (cilindro, tubería u otro recipiente), primero debe asegurarse de que no contiene materiales inflamables o volátiles.

## Seguridad eléctrica



**ADVERTENCIA:** La máquina (Great Britain 110 V) no está equipada con un interruptor de circuito de falla a tierra. La máquina se debe utilizar siempre con un transformador aislante para protección en caso de que ocurra una falla eléctrica.



**ADVERTENCIA:** No lave la máquina con agua, ya que el agua puede entrar en el sistema eléctrico o el motor y causar daños a la máquina o un cortocircuito.

- **Los enchufes de la herramienta eléctrica deben coincidir con la toma de corriente. Nunca modifique el enchufe de ninguna forma. No utilice enchufes con adaptador con herramientas eléctricas conectadas a tierra.** Los enchufes sin modificaciones

y las tomas correspondientes reducirán el riesgo de sacudida eléctrica.

- **Evite el contacto corporal con superficies conectadas a tierra, como tuberías, radiadores, estufas y refrigeradores.** Existe un mayor riesgo de sacudida eléctrica si su cuerpo está conectado a tierra.
- **No exponga las herramientas eléctricas a la lluvia o a condiciones húmedas.** Si entra agua en una herramienta eléctrica, aumenta el riesgo de sacudida eléctrica.
- **No haga mal uso del cable. Nunca utilice el cable para transportar, tirar o desconectar la herramienta eléctrica. Mantenga el cable alejado del calor, el aceite, los bordes afilados o las piezas en movimiento.** Cables dañados o enredados aumentan el riesgo de sacudida eléctrica.
- **Al operar una herramienta eléctrica en exteriores, utilice un cable de extensión apto para su uso al aire libre.** La utilización de un cable apto para el uso al aire libre reduce el riesgo de sacudida eléctrica.
- Compruebe que el cable y el cable de extensión están intactos y en buenas condiciones. Nunca utilice la máquina si el cable está dañado, llévela a un taller de servicio autorizado para su reparación.
- Para evitar el sobrecalentamiento, no utilice el cable de extensión mientras está enrollado.
- Cuando utilice un cable de extensión, utilice solo cables de extensión certificados con el alcance suficiente. Para obtener más información, consulte la sección *Datos técnicos en la página 48*. Un cable de extensión menor significa que hay un riesgo de reducción de la capacidad de la máquina y sobrecalentamiento.
- La máquina debe estar conectada a un enchufe con conexión a tierra. Compruebe que el voltaje de la red de electricidad corresponde al establecido en la placa de características en la máquina.
- Asegúrese de que el cable se encuentra detrás de usted cuando empiece a utilizar la máquina de modo que no se dañe el cable.

## Seguridad personal

- **Permanezca alerta, vea lo que está haciendo y use el sentido común cuando opere una herramienta eléctrica. No utilice una herramienta eléctrica si está cansado o bajo la influencia de drogas, alcohol o medicamentos.** Un momento de distracción a la hora de operar una herramienta eléctrica puede generar daños personales graves.
- **Utilice equipo de seguridad. Siempre utilice protección ocular.** El equipo de protección, como una máscara contra polvo, calzado de seguridad antideslizante, casco o protectores auriculares utilizado para condiciones apropiadas reducirá las lesiones personales.
- Evite el arranque accidental. Asegúrese de que el interruptor está en la posición OFF (Apagado) antes de conectarlo.

- **Evite el arranque accidental. Asegúrese de que el interruptor esté en la posición OFF (Apagado) antes de conectarse a una fuente de energía o unidad de batería, así como cuando recoge o transporta la herramienta.** Transportar herramientas eléctricas con su dedo en el interruptor o suministrar corriente a las herramientas eléctricas con el interruptor en la posición de encendido, puede provocar accidentes.
- **Quite cualquier llave de ajuste antes de encender la herramienta eléctrica.** Una llave conectada a una pieza giratoria de la herramienta eléctrica puede causar daños personales.
- **No se estire demasiado. Mantenga una posición y un equilibrio adecuados en todo momento.** Esto permite un mejor control de la herramienta eléctrica en situaciones inesperadas.
- **Vístase adecuadamente. No use ropa suelta ni joyas. Mantenga su cabello, su ropa y sus guantes alejados de las piezas en movimiento.** La ropa suelta, las joyas o el cabello largo pueden quedar atrapados en las partes que se mueven.
- **Si se proporcionan dispositivos para la conexión de instalaciones de recolección y extracción de polvo, asegúrese de que estos se conecten y utilicen de manera pertinente.** La recolección de polvo puede reducir los peligros relacionados con el polvo.
- Manténgase a una distancia de las cuchillas cuando el motor esté funcionando.
- La sobreexposición a las vibraciones puede producir trastornos vasculares o nerviosos en personas que padecen de trastornos circulatorios. Póngase en contacto con su médico si experimenta síntomas de la sobreexposición a las vibraciones. Estos síntomas son entumecimiento, pérdida de sensibilidad, hormigueo, ardor, dolor, pérdida de fuerza, cambios en el color o el estado de la piel. Normalmente, estos síntomas se presentan en los dedos, manos o muñecas. Estos síntomas pueden empeorar con bajas temperaturas.

## Equipo de protección personal



**ADVERTENCIA:** El uso de máquinas tales como las cortadoras, las amoladoras o los taladros que liján o dan forma a materiales, puede generar polvo y vapores que podrían contener elementos químicos peligrosos. Compruebe el origen del material que va a procesar y utilice una máscara respiratoria adecuada.



**ADVERTENCIA:** Use siempre protectores auriculares aprobados. La exposición prolongada al ruido puede causar la pérdida permanente de la audición. Esté atento a las señales de advertencia o los avisos cuando utilice protectores auriculares. Siempre retire sus protectores auriculares apenas se detenga el motor.



**ADVERTENCIA:** Siempre hay riesgo de lesiones por aplastamiento cuando se trabaja con productos que contienen piezas móviles. Use guantes protectores para evitar lesiones físicas.



**ADVERTENCIA:** Cuando trabaje con el producto, podrían generarse chispas y ocasionar un incendio. Mantenga a mano el equipo de extinción de incendios.

Debe utilizar el equipo de protección personal autorizado cuando utilice la máquina. El equipo de protección personal no puede eliminar el riesgo de lesiones, pero reducirá el grado de lesiones en caso de que se produzca un accidente. Pida ayuda a su distribuidor para elegir el equipo correspondiente.

Siempre use:

- Casco de protección autorizado.
- Protectores auriculares.
- Protección ocular aprobada. Si utiliza una máscara de protección, entonces también debe utilizar gafas protectoras autorizadas. Las gafas protectoras autorizadas deben cumplir con la norma ANSI Z87.1 de EE. UU. o EN 166 para países de la UE. Los visores deben cumplir con la norma EN 1731.
- Protección respiratoria aprobada.
- Guantes protectores.
- Guantes antideslizantes reforzados.
- Vestimenta ceñida, reforzada y cómoda que permita una total libertad de movimiento. Las acciones de corte generan chispas que pueden prender fuego a la ropa. Husqvarna recomienda que lleve ropa de algodón retardante de llama o mezclilla gruesa. No use ropa de materiales como nailon, poliéster o rayón. Si estos materiales se encienden, pueden derretirse y adherirse a la piel. No utilice pantalones cortos.
- Botas con punta de acero y suela antideslizante.

Siempre tenga cerca un botiquín de primeros auxilios y un equipo contra incendios.

## Dispositivos de seguridad en el producto

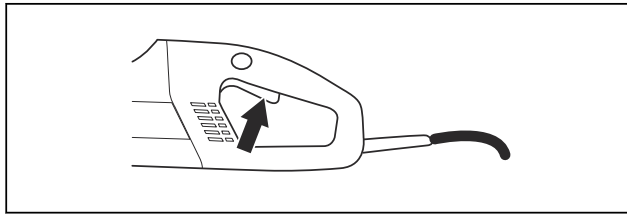


**ADVERTENCIA:** Lea atentamente las siguientes instrucciones de advertencia antes de utilizar el producto.



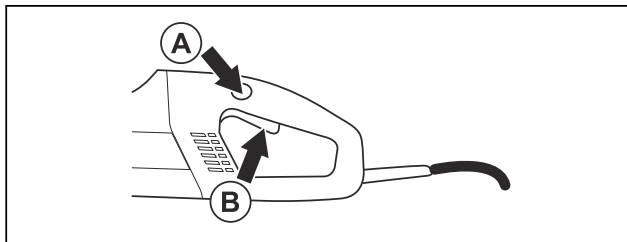
## Interruptor de encendido

Presione el interruptor de encendido para arrancar la cortadora y suelte el interruptor para detener la cortadora.



## Bloqueador de interruptor de encendido

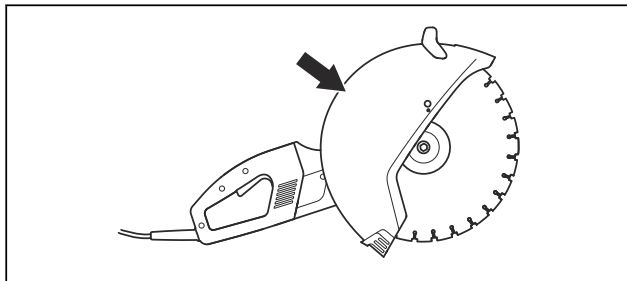
El bloqueador del interruptor de encendido está diseñado para evitar el funcionamiento accidental del interruptor. Presione el interruptor de bloqueo de encendido (A) para liberar el interruptor de encendido (B).



El bloqueador del interruptor de encendido permanece liberado mientras el interruptor de encendido está liberado. Cuando se suelta la empuñadura en el mango, se restablecen el interruptor de encendido y el bloqueador del interruptor de encendido. Este movimiento se controla mediante dos muelles de retorno independientes. Esta posición provoca que la máquina se detenga y que el interruptor de encendido se bloquee.

## Protector de la cuchilla

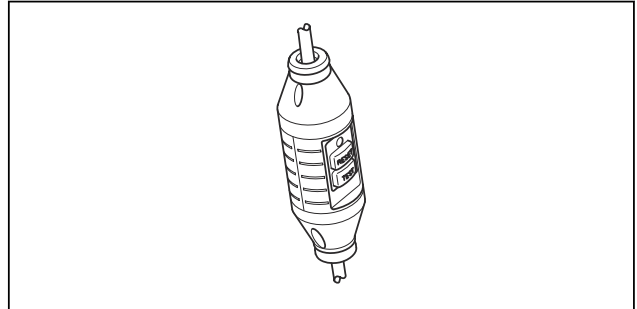
Esta protección está instalada sobre el disco de corte y está diseñada para impedir que las piezas de la cuchilla o los fragmentos de corte salgan eyectados hacia el usuario.



## Dispositivo de corriente residual

Los interruptores de circuito de falla a tierra son para protección en caso de que ocurra una falla eléctrica.

El LED indica que el interruptor de circuito de falla a tierra está encendido y que la máquina se puede encender. Si el LED no está encendido, pulse el botón de REINICIO (verde).



## Instrucciones de seguridad para el mantenimiento



**ADVERTENCIA:** El usuario solo debe llevar a cabo el trabajo de mantenimiento y servicio descrito en este manual de usuario. Un taller de servicio autorizado se debe encargar de realizar una labor más amplia.



**ADVERTENCIA:** El motor debe estar apagado y el interruptor de detención en la posición STOP (Detención).



**ADVERTENCIA:** Use equipo de protección personal. Consulte *Equipo de protección personal en la página 32*.



**ADVERTENCIA:** La vida útil del producto se puede reducir y el riesgo de accidentes puede aumentar si el mantenimiento del producto no se realiza correctamente y si el servicio o las reparaciones no se llevan a cabo de forma profesional. Si necesita más información, comuníquese con su taller de servicio más cercano.



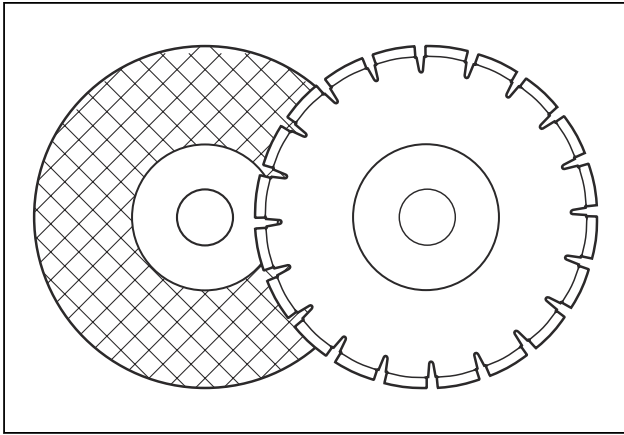
**AVISO:** Permita que su distribuidor de Husqvarna revise regularmente el producto y realice los ajustes y las reparaciones necesarios.

## ARMADO

### Discos de corte

Las cuchillas Husqvarna son cuchillas de alta velocidad aprobadas para las cortadoras manuales.

- Los discos de corte están disponibles en dos diseños básicos: cuchillas abrasivas y hojas de diamante.



- Las cuchillas de alta calidad suelen ser las más económicas.
- Las cuchillas de calidad más baja tienen a menudo una capacidad de corte inferior y una vida útil más corta, lo que se traduce en costos mayores con respecto a la cantidad de material que se corta.
- Asegúrese de que se utilice el buje adecuado para que el disco de corte se ajuste en el producto. Para ver las instrucciones, consulte *Para ajustar el disco de corte en la página 38*.

### Discos de corte adecuados

Discos de corte	K 4000	K 4000 with a Vac attachment
Cuchillas abrasivas	Sí*	No
Cuchillas de diamante	Sí	Sí
Cuchillas dentadas	No	No

\*Sin agua.

Para obtener más información, consulte *Datos técnicos en la página 48*.

### Discos de corte para distintos materiales



**ADVERTENCIA:** Nunca utilice un disco de corte para cualquier otro material al que estaba destinado a cortar.



**ADVERTENCIA:** Nunca utilice una cuchilla de diamante para cortar material de plástico. El calor producido durante el corte podría derretir el plástico, que se podría pegar al disco de corte y causar una reculada.



**ADVERTENCIA:** Cortar metales genera chispas que podrían provocar un incendio. No utilice el producto cerca de sustancias o gases inflamables.



**ADVERTENCIA:** No se permite cortar metal con el accesorio de aspiradora.

- Siga las instrucciones suministradas con el disco de corte relativas a la adecuación de la cuchilla a las diferentes aplicaciones o consulte a su distribuidor.

	Concreto	Metal	Plástico	Hierro fundido
Cuchillas abrasivas*	X	X*	X	X
Cuchillas de diamante	X	X**	----	X**

\*Solo sin el accesorio de aspiradora.

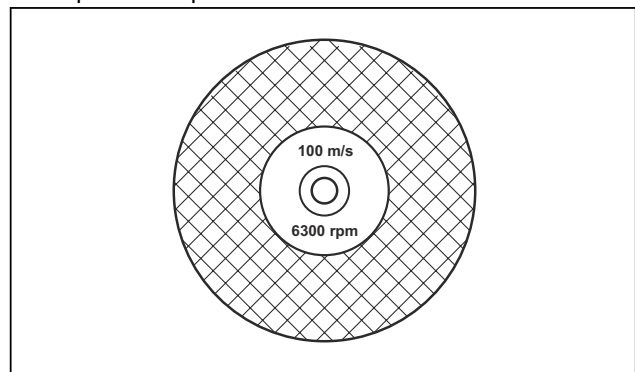
\*\*Solo cuchillas especiales. Solo sin el accesorio de aspiradora.

### Discos de corte para cortadoras manuales de alta velocidad



**ADVERTENCIA:** Nunca utilice un disco de corte con una velocidad menor que la de la cortadora. Solo utilice discos de corte que cumplan con las normas nacionales o regionales; por ejemplo, EN 13236, EN 12413 o ANSI B7.1.

- Muchos de los discos de corte que se pueden instalar en esta cortadora están diseñados para sierras estáticas y tienen una velocidad inferior a la necesaria para esta cortadora manual. Nunca se deben utilizar discos de corte con una velocidad menor en esta cortadora.
- Los discos de corte Husqvarna están fabricados para cortadoras portátiles de alta velocidad.
- Compruebe que la cuchilla está aprobada para la misma velocidad o para una velocidad mayor según la placa de aprobación del motor.



## Vibración de la cuchilla

- La cuchilla puede salir de su circunferencia y vibrar si se utiliza una presión de alimentación excesiva.
- Una presión de alimentación menor puede detener la vibración. De lo contrario, sustituya el disco.

## Cuchillas abrasivas

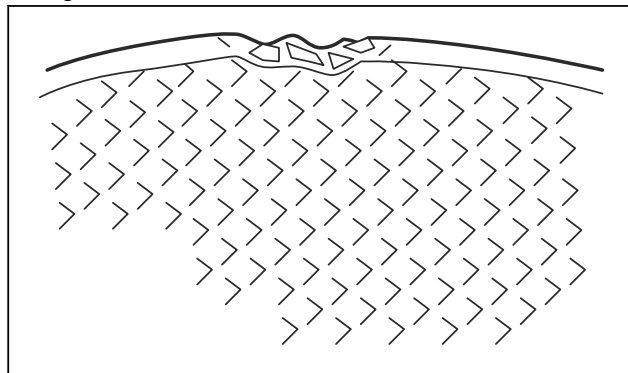


**ADVERTENCIA:** No utilice cuchillas de corte abrasivo con agua. La fuerza disminuye cuando las cuchillas de corte abrasivo se exponen al agua o a la humedad, lo que provoca un aumento en el riesgo de quiebre de la cuchilla.

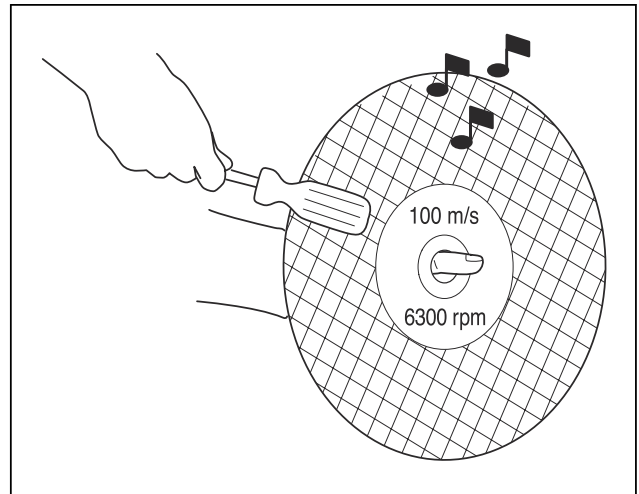


**AVISO:** No se permiten cuchillas de corte abrasivo con el accesorio de aspiradora. El uso de cuchillas de corte abrasivo causa un desgaste anormal en el accesorio de aspiradora.

- No utilice ruedas reforzadas gastadas de herramientas eléctricas más grandes. Las ruedas que están diseñadas para una herramienta eléctrica más grande no son adecuadas para una velocidad mayor de una herramienta más pequeña y podría estallar.
- El material de corte de las cuchillas de corte abrasivo consiste en un agente adherido de granos abrasivos que utiliza un adherente orgánico. Los discos reforzados están fabricados de una base de tejido o de fibra que impide el quiebre total a la máxima velocidad de trabajo si el disco se agrieta o se daña.
- El rendimiento de un disco de corte se determina por el tipo y tamaño de los granos abrasivos, y el tipo y solidez del aglomerante orgánico.
- Asegúrese de que el disco de corte no está agrietado ni dañado.



- Pruebe la cuchilla de corte abrasivo colgándola de un dedo y golpeándola suavemente con un destornillador o algo similar. Si la cuchilla no produce un sonido de zumbido resonante, entonces está dañada.



- Asegúrese de que se utiliza la cuchilla de corte abrasivo correcta en el material previsto.

Tipo de cuchilla	Material
Concreto	Hormigón, asfalto, albañilería de piedra, hierro fundido, aluminio, cobre, latón, cables, goma, plástico, etc.
Metal	Acero, aleaciones de acero y otros metales duros.

## Cuchillas de diamante



**ADVERTENCIA:** Nunca utilice una cuchilla de diamante para cortar material de plástico. El calor producido durante el corte podría derretir el plástico, que se podría pegar al disco de corte y causar una reculada.



**ADVERTENCIA:** Las cuchillas de diamante pueden calentarse bastante cuando se utilizan. Una cuchilla sobrecalentada es consecuencia de un uso incorrecto y puede ocasionar la deformación de la cuchilla, lo que puede provocar daños y heridas.



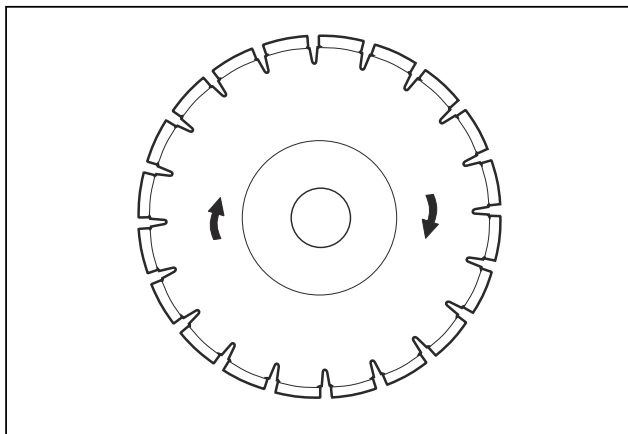
**ADVERTENCIA:** Cortar metales genera chispas que podrían provocar un incendio. No utilice el producto cerca de sustancias o gases inflamables.

**Tenga en cuenta:** Las cuchillas de diamante están disponibles en diversos grados de solidez.

**Tenga en cuenta:** Afile la cuchilla cortando material blando como arenisca o adoquín.

- Utilice siempre una cuchilla de diamante afilada.

- Las cuchillas de diamante pueden desafilarse cuando se utiliza la presión de alimentación equivocada o cuando se cortan ciertos materiales como el concreto altamente reforzado. Trabajar con una cuchilla de diamante desafilada genera un recalentamiento, lo que puede provocar que se suelten segmentos de diamante.
- Las cuchillas de diamante están compuestas por un núcleo de acero provisto de segmentos que contienen diamantes industriales.
- Las cuchillas de diamante son ideales para la mampostería, el concreto reforzado y otros materiales compuestos.
- Las cuchillas de diamante garantizan un menor costo por operación de corte, menos cambios de cuchilla y una profundidad de corte constante.
- Deben utilizarse cuchillas especiales a la hora de cortar metales. Consulte a su distribuidor para que le ayude a elegir el equipo adecuado.
- Cuando utilice una cuchilla de diamante, asegúrese de que gire en el sentido indicado por la flecha de la cuchilla.



#### Hojas de diamante para corte seco

- Las hojas de diamante para corte seco se pueden utilizar con y sin refrigeración por agua.
- Durante el corte seco, levante la hoja del corte cada 30-60 segundos y déjela girar en el aire durante 10 segundos para que se enfríe. En caso contrario, la hoja se puede sobrecalentar.

#### Hojas de diamante para corte húmedo

**Tenga en cuenta:** No utilice el accesorio de aspiradora durante el corte húmedo. El lodo húmedo de concreto reduce considerablemente la capacidad de aspiración del accesorio de aspiradora.

- Las hojas de diamante para corte húmedo se deben refrigerar por agua. En caso contrario, la hoja se puede sobrecalentar.
- El agua enfría el disco y aumenta la vida útil, mientras que al mismo tiempo reduce la formación de polvo.

- La refrigeración por agua, que se utiliza en el corte de concreto, enfría la hoja y aumenta su vida útil, al mismo tiempo que reduce la formación de polvo. Las desventajas incluyen dificultades a temperaturas muy bajas, riesgo de dañar pisos y otros elementos estructurales, y riesgo de deslizamiento.

#### Hoja de diamante: espacio lateral

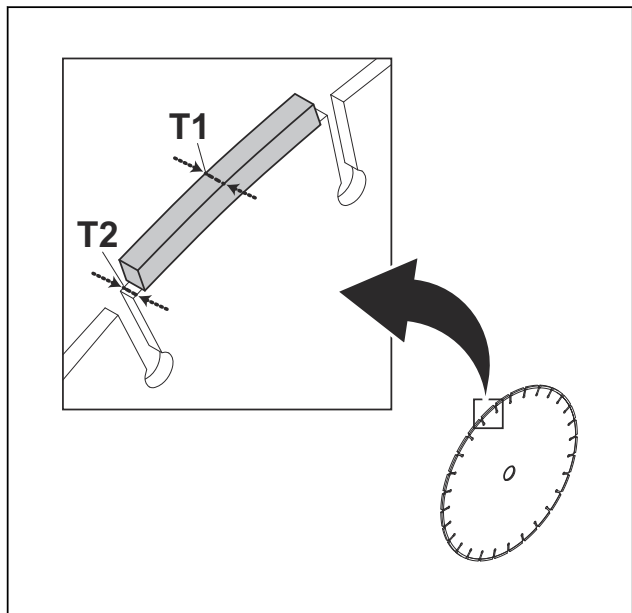


**ADVERTENCIA:** Compruebe que el segmento de diamante (T1) sea más ancho que el núcleo de la hoja (T2), a fin de evitar el atascamiento en la ranura de corte y provocar una reculada.

Cambie la hoja antes de que se desgaste por completo.



**AVISO:** Algunas situaciones de corte u hojas de mala calidad pueden causar un desgaste excesivo del lado de los segmentos.



Algunas hojas Husqvarna están disponibles con indicadores de desgaste del espacio lateral para ayudar a determinar la vida útil de la hoja.

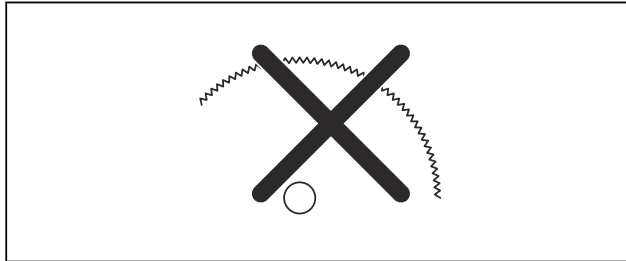
#### Cuchillas dentadas



**ADVERTENCIA:** Nunca utilice cuchillas dentadas, como discos de corte de madera, cuchillas dentadas circulares, discos con punta de carburo, etc. El riesgo de reculada aumenta considerablemente y las puntas se pueden romper y salir despedidas a gran velocidad. El descuido puede provocar lesiones personales graves o incluso la muerte.



**ADVERTENCIA:** Las regulaciones del gobierno requieren un tipo de protección diferente para las cuchillas con punta de carburo no disponibles en las cortadoras: una protección de 360 grados. Las cortadoras (esta sierra) utilizan hojas de diamante o de corte abrasivo y tienen un sistema de protección diferente que no proporciona protección contra los peligros que presentan los discos de corte de madera.



El uso de esta cortadora con una hoja de punta de carburo es una infracción de las reglas de seguridad en el trabajo.

Debido a la naturaleza peligrosa y a las exigentes circunstancias relacionadas con la extinción de incendios y con las operaciones de rescate realizadas por las diversas fuerzas de seguridad pública altamente entrenadas y por los profesionales de seguridad (bomberos), Husqvarna es consciente de que pueden utilizar esta cortadora con cuchillas de punta de carburo en ciertas situaciones de emergencia debido a la capacidad de las cuchillas con punta de carburo para cortar diferentes tipos de obstáculos y materiales en combinación sin tener que tomarse el tiempo de cambiar las cuchillas o las máquinas. Al utilizar esta cortadora, tenga en cuenta en todo momento que las cuchillas con punta de carburo son más propensas a las reculadas que las hojas de diamante o de corte abrasivo si no se usan correctamente. Las cuchillas con punta de carburo también pueden arrojar piezas de material lejos de la cuchilla.

Por estas razones, nunca se debe usar una cortadora equipada con cuchilla de punta de carburo, excepto por los profesionales de seguridad pública altamente entrenados que estén al tanto de los riesgos asociados a su uso, y solo en esas circunstancias exigentes cuando otras herramientas se consideran ineficientes e inefectivas para las operaciones de extinción de incendios o rescate. Nunca se debe utilizar una cortadora equipada con una cuchilla de punta de carburo para cortar madera en situaciones que no sean de rescate.

## Para examinar el eje del husillo y las arandelas de brida

Examine las arandelas de brida y el eje del husillo cuando se reemplace la cuchilla.



**AVISO:** Utilice solamente las arandelas de brida suministradas por Husqvarna con un diámetro mínimo de 105 mm/4,1 pulg.

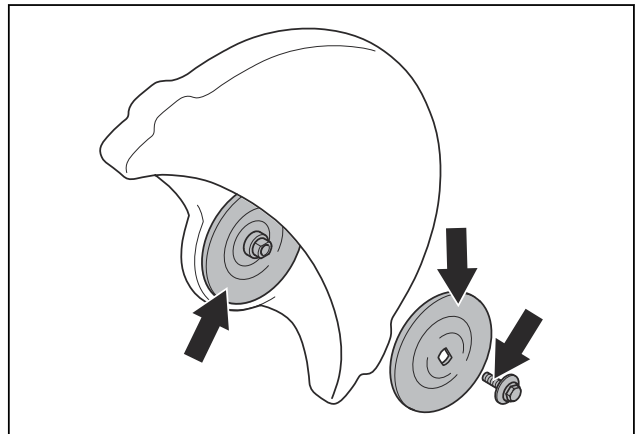


**AVISO:** No utilice arandelas de brida deformadas, perforadas, abolladas o sucias.



**AVISO:** No utilice distintos tamaños de arandelas de brida.

1. Asegúrese de que las roscas del eje del husillo no estén dañadas.
2. Asegúrese de que las superficies de contacto de la cuchilla y de las arandelas de brida no estén dañadas, que sean del tamaño correcto, que estén limpias y que funcionen apropiadamente en el eje del husillo.



## Para examinar el buje del eje giratorio

Asegúrese de que los bujes del eje giratorio se ajustan al orificio central en el disco de corte.

El producto se suministra con un buje fijo o un buje que se puede girar para encajar en orificios centrales de 20 mm o 25,4 mm (1 pulg.).

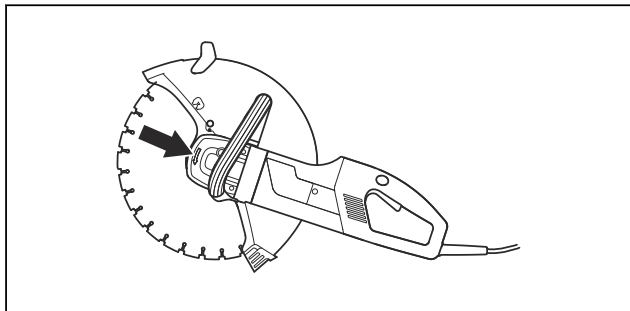
- Asegúrese de que el buje del eje del husillo del producto corresponda al orificio central del disco de corte.

Las cuchillas están marcadas con el diámetro del orificio central.

## Para examinar la dirección de la rotación del disco de corte

Si se utiliza una hoja de diamante, asegúrese de que gire en el sentido indicado por la flecha de la hoja.

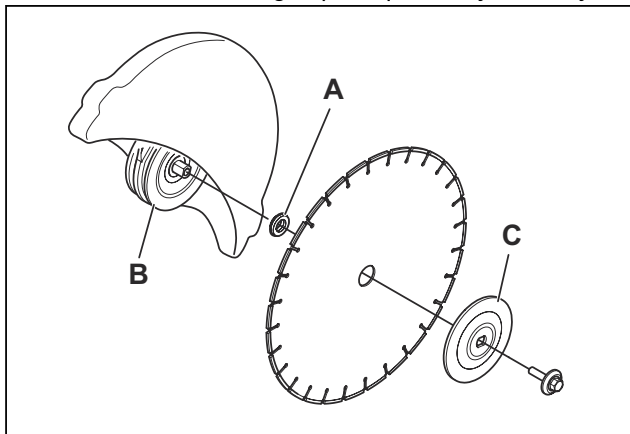
- Examine la dirección de la rotación del disco de corte que se muestra por las flechas en el brazo de corte.



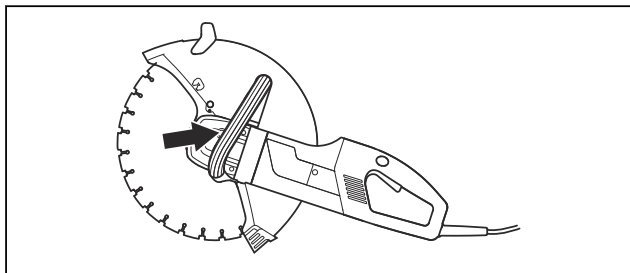
## Para ajustar el disco de corte

El par de apriete del perno que sujeta el disco de corte es de 25 Nm (18,5 lb-pie).

El disco de corte se coloca en el buje (A) entre la arandela de brida interna (B) y la arandela de brida (C). La arandela de brida se gira para que encaje en el eje.



- Bloquee el disco de corte/eje con el botón de bloqueo de la parte trasera de la máquina. El botón se restablece cuando se suelta.



## Para ajustar la protección de la hoja



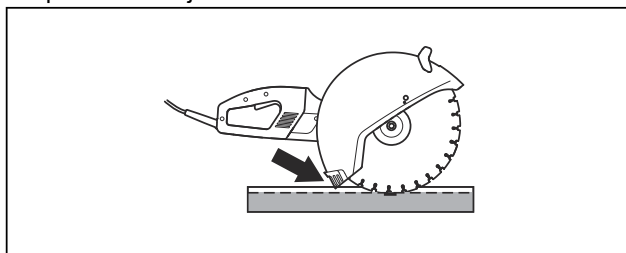
**ADVERTENCIA:** Siempre verifique que la protección de la hoja esté correctamente montada antes de arrancar el producto.

La protección del equipo de corte se debe ajustar de modo que la sección trasera esté alineada con la pieza de trabajo.

Las salpicaduras y chispas del material de corte son recolectadas por la protección y alejadas del usuario.

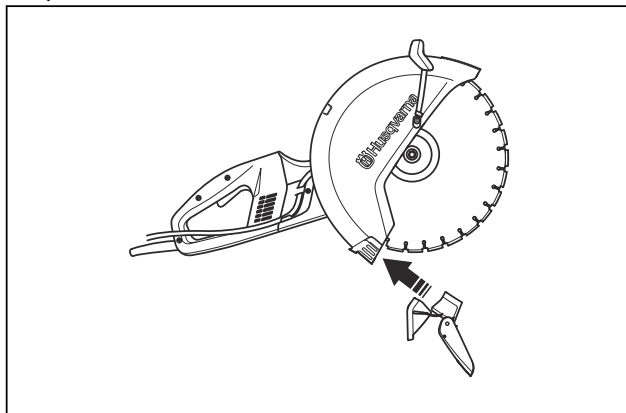
La protección de la hoja está bloqueada contra la fricción.

- Presione los extremos de la protección contra la pieza de trabajo o ajuste la protección con la palanca de ajuste.

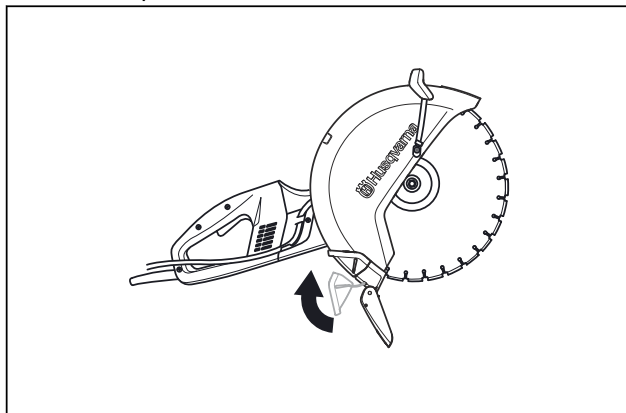


## Para ajustar la protección contra salpicaduras

- Deslice la protección contra salpicaduras hacia las ranuras de la parte posterior de la cubierta protectora del disco de corte.



- Asegúrese de que el cierre queda sobre el asa en la cubierta. Levante el cierre y presiónelo contra la cubierta protectora.



# FUNCIONAMIENTO

## Técnicas básicas de trabajo



**ADVERTENCIA:** No tire la cortadora hacia un lado. Esto puede provocar que la cuchilla se atasque o se rompa, provocando lesiones.



**ADVERTENCIA:** No afile con el costado de la cuchilla. El amolado causa roturas o daños. Utilice solo la sección de corte.



**ADVERTENCIA:** Antes de ingresar en una ranura realizada con otra hoja, compruebe que la ranura no sea más delgada que la hoja que se utilizará, ya que podría provocar que se atasque en la ranura de corte y cause una reculada.



**ADVERTENCIA:** Nunca utilice una cuchilla de diamante para cortar material de plástico. El calor producido durante el corte podría derretir el plástico, que se podría pegar al disco de corte y causar una reculada.



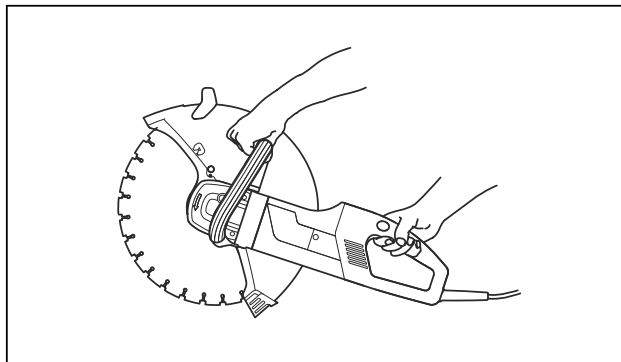
**ADVERTENCIA:** Cortar metales genera chispas que podrían provocar un incendio. No utilice el producto cerca de sustancias o gases inflamables.



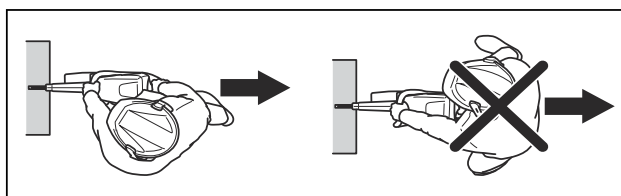
**ADVERTENCIA:** No se permite cortar metal con el accesorio de aspiradora.

- El producto está diseñado y previsto para cortar con hojas de diamante o de corte abrasivo destinadas para productos manuales de alta velocidad. No se debe utilizar el producto con cualquier otro tipo de hoja, o para cualquier otro tipo de corte.
- Compruebe que el disco de corte esté correctamente montado y que no muestre señales de daños. Consulte *Discos de corte en la página 33* para obtener instrucciones.
- Compruebe que se esté utilizando el disco de corte adecuado para la aplicación correspondiente. Consulte *Discos de corte en la página 33* para obtener instrucciones.
- Nunca corte materiales de asbesto.
- Sujete la sierra con ambas manos; agarre los mangos firmemente con los pulgares y los dedos. La mano derecha debe estar en el mango trasero y la mano izquierda en el mango delantero. Todos los operadores, independientemente de si son zurdos o diestros, deben usar esta empuñadura. Nunca haga

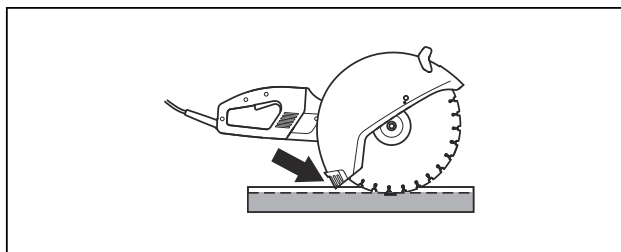
funcionar una cortadora sosteniéndola con una sola mano.



- Colóquese en paralelo al disco de corte. Evite permanecer de pie justo detrás. En el caso de una reculada, la sierra se moverá en el plano del disco de corte.

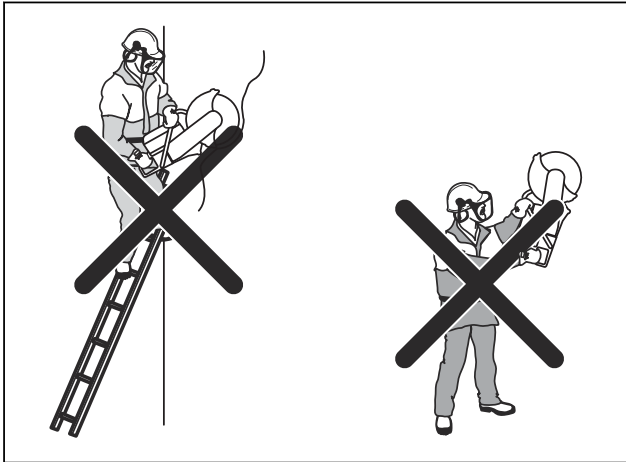


- Si la cuchilla se traba en el corte o cuando desea retirar la cuchilla en un corte, suelte el acelerador y espere a que la cuchilla se detenga. No extraiga la cuchilla mientras esta esté en movimiento para evitar una reculada.
- Mantenga una distancia segura del disco de corte cuando el motor está en marcha. No intente detener una cuchilla giratoria con cualquier parte de su cuerpo.
- Nunca mueva la máquina cuando el equipo de corte está girando. Asegúrese de que la cuchilla se haya detenido por completo antes de poner la máquina en el suelo.
- La protección del equipo de corte se debe ajustar de modo que la sección trasera esté alineada con la pieza de trabajo. Las salpicaduras y chispas del material que se corta son recolectadas por la protección y alejadas del usuario. Las protecciones del equipo de corte deben estar siempre instaladas cuando el producto está en marcha.

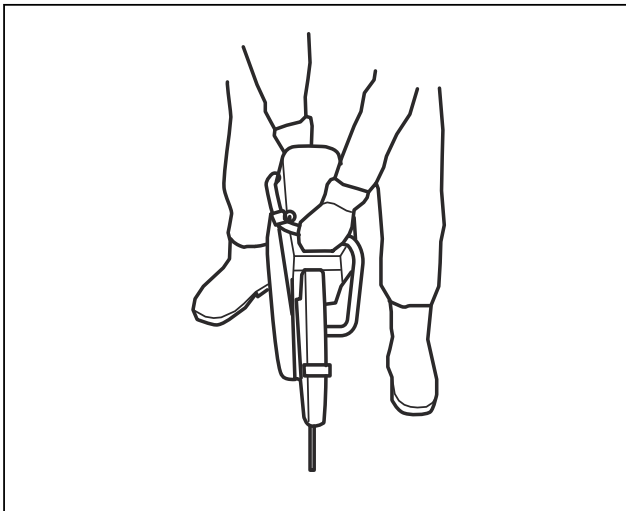


- Nunca utilice el sector de riesgo de reculada de la cuchilla para el corte. Consulte *Reculada en la página 41* para obtener instrucciones.

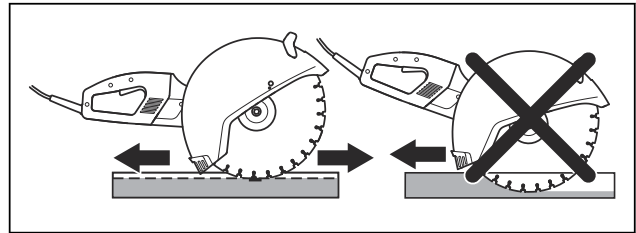
- Tenga cuidado adicional cuando haga un "corte recto" en muros existentes u otras zonas ciegas. La rueda que sobresale puede cortar tuberías de agua o de gas, cableado eléctrico u objetos que pueden provocar una reculada.
- Mantenga un buen equilibrio y un punto de apoyo firme.
- Nunca corte por encima de la altura de los hombros.
- Nunca corte desde una escalera. Utilice una plataforma o un andamio si debe realizar un corte por encima de los hombros.



- No se estire demasiado.
- Sitúese a una distancia cómoda de la pieza de trabajo.
- Asegúrese siempre de tener una posición de trabajo segura y firme.
- Compruebe que la cuchilla no está en contacto con nada cuando el producto se pone en marcha.
- Utilice el disco de corte suavemente con velocidad de rotación alta (aceleración máxima). Mantenga a máxima velocidad hasta finalizar el corte.
- Deje que el producto funcione sin forzar ni presionar la cuchilla.
- Suministre el producto en línea con la cuchilla. La presión desde el lado puede dañar la cuchilla y es muy peligrosa.



- Mueva la cuchilla lentamente hacia delante y hacia atrás para obtener un área de contacto pequeña entre la cuchilla y el material que se debe cortar. Esto reduce la temperatura de la cuchilla y asegura un corte efectivo.



## Uso y cuidado de la herramienta eléctrica

- **No fuerce la herramienta eléctrica. Utilice la herramienta eléctrica correcta según su aplicación.** Con la herramienta eléctrica correcta, hará el trabajo mejor y de manera más segura a razón del propósito para la cual fue diseñada.
- **No utilice la herramienta eléctrica si no se puede encender o apagar con el interruptor.** Cualquier herramienta eléctrica que no se puede controlar con el interruptor conlleva peligros y se debe reparar.
- **Desconecte el enchufe de la fuente de energía o retire la unidad de batería de la herramienta eléctrica antes de hacer ajustes, cambiar accesorios o almacenar la herramienta eléctrica.** Tales medidas de seguridad preventivas reducen el riesgo de arranque accidental de la herramienta eléctrica.
- **Almacene las herramientas eléctricas inactivas fuera del alcance de los niños y no permita que personas que no estén familiarizadas con la herramienta eléctrica o con estas instrucciones operen la herramienta eléctrica.** Las herramientas eléctricas conllevan peligros en manos de usuarios inexpertos.
- **Realice mantenimiento a las herramientas eléctricas. Revise en busca de atascamiento o desalineación de las piezas móviles, rotura de piezas o cualquier otra condición que pueda afectar el funcionamiento de la herramienta eléctrica. Si se daña, repare la herramienta eléctrica antes de su uso.** Muchos de los accidentes se deben a herramientas eléctricas con un mal mantenimiento.
- **Mantenga las herramientas de corte afiladas y limpias.** Las herramientas de corte con un mantenimiento correcto y bordes cortantes afilados son menos propensas a atascamientos y más fáciles de controlar.
- **Utilice la herramienta eléctrica, los accesorios, las barrenas, etc. de acuerdo con estas instrucciones, conforme a las condiciones de trabajo y la tarea que se debe realizar.** El uso de la herramienta eléctrica en operaciones distintas de las previstas podría generar una situación peligrosa.
- Bajo ninguna circunstancia debe modificar el diseño original de la máquina sin la aprobación del fabricante. Utilice siempre piezas de repuesto



originales. Las modificaciones o los accesorios no autorizados pueden provocar graves lesiones o incluso la muerte al usuario u otras personas.

- Asegúrese de que no haya tuberías ni cables eléctricos en la zona de trabajo o en el material que se va a cortar.
- Siempre revise y marque la ubicación de las tuberías de gas. Cortar cerca de las tuberías de gas siempre implica un peligro. Debido al riesgo de explosión, asegúrese de que no se produzcan chispas durante el corte. Manténgase concentrado y centrado en la tarea. Un descuido puede provocar lesiones personales graves o la muerte.
- La protección del equipo de corte debe estar siempre encendida cuando la máquina está funcionando.

## Servicio

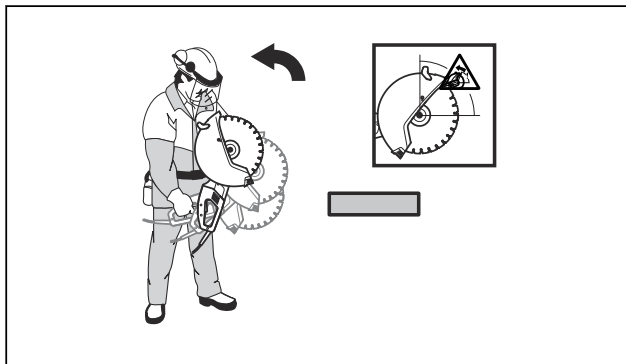
- Asegúrese de que un experto calificado realice la reparación de la herramienta eléctrica solo con piezas de repuesto idénticas. Esto garantizará que se mantenga la seguridad de la herramienta eléctrica.

## Reculada



**ADVERTENCIA:** Las reculadas son repentinas y pueden ser muy violentas. La cortadora puede salir despedida hacia arriba y hacia atrás en dirección al usuario en un movimiento giratorio, provocando lesiones graves o mortales. Es vital comprender las causas de las reculadas y cómo evitarlas antes de utilizar el producto.

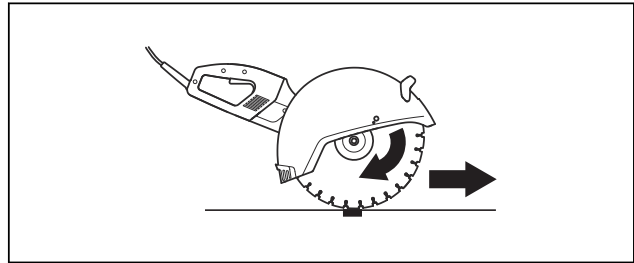
Una reculada es el movimiento repentino hacia arriba que puede ocurrir si la cuchilla se atasca o se engancha en el sector de riesgo de reculada. La mayoría de las reculadas son pequeñas y poco peligrosas.



### Fuerza reactiva

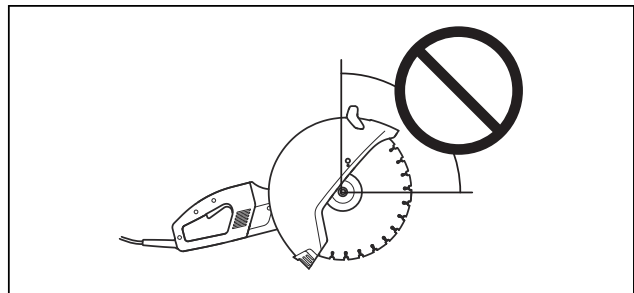
- Una fuerza reactiva está siempre presente durante el corte. La fuerza tira del producto en dirección contraria al sentido de rotación de la cuchilla. La mayoría de las veces, esta fuerza es insignificante. Si la cuchilla se atasca o se engancha, la fuerza

reactiva será considerable y podría no ser capaz de controlar la cortadora.



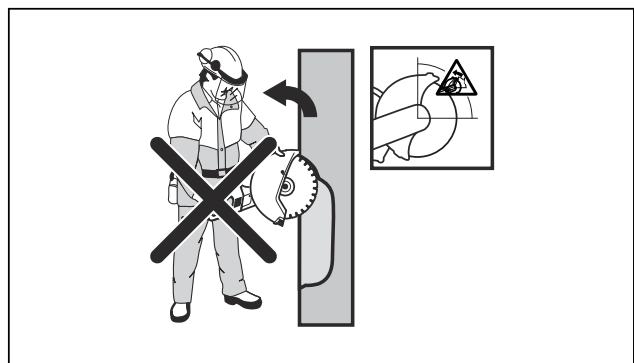
### Sector de riesgo de reculada

- Nunca utilice el sector de riesgo de reculada de la cuchilla para el corte. Si la cuchilla se atasca o se engancha en el sector de riesgo de reculada, la fuerza reactiva empujará la cortadora hacia arriba y hacia atrás en dirección al usuario en un movimiento giratorio, provocando lesiones graves o mortales.



### Reculada ascendente

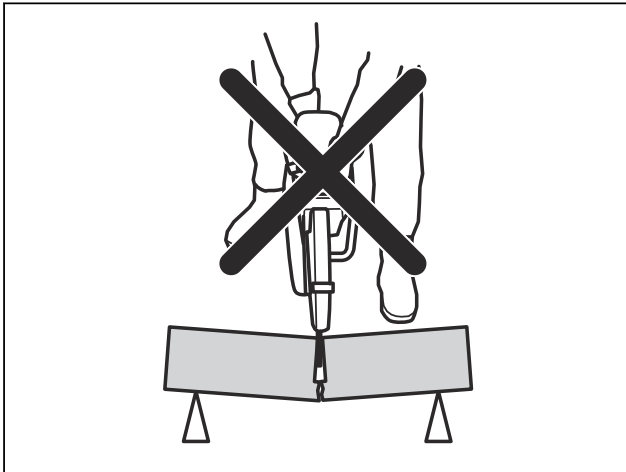
- Si se utiliza el sector de riesgo de reculada para cortar, la fuerza reactiva causa que la cuchilla suba durante el corte. No utilice el sector de riesgo de reculada. Use el cuadrante inferior de la cuchilla para evitar la reculada ascendente.



### Reculada de compresión

- Una compresión ocurre cuando el corte se cierra y comprime la cuchilla. Si la cuchilla se atasca o se

engancha, la fuerza reactiva será considerable y podría no ser capaz de controlar la cortadora.



- Si la cuchilla se atasca o se engancha en el sector de riesgo de reculada, la fuerza reactiva empujará la cortadora hacia arriba y hacia atrás en dirección al usuario en un movimiento giratorio, provocando lesiones graves o mortales.

### Para el corte de tuberías



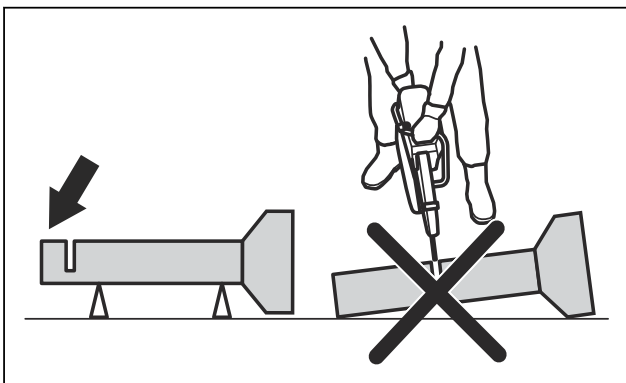
**ADVERTENCIA:** Si la cuchilla se comprime en el sector de riesgo de reculada, puede provocar una reculada grave.



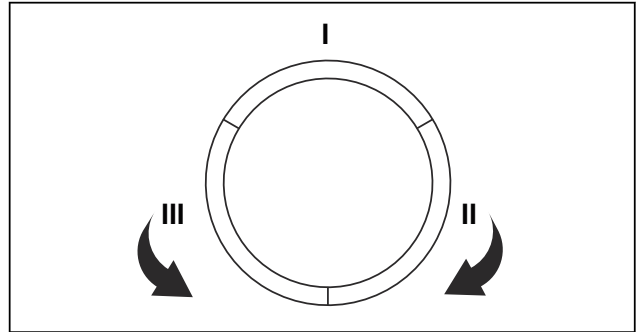
**ADVERTENCIA:** Asegúrese de que la tubería está sujeta correctamente, de modo que el extremo de la tubería se mueva hacia abajo durante el corte.

Se debe tener especial cuidado al cortar las tuberías. Si la tubería no está sujeta correctamente y el corte se mantiene abierto durante todo el corte, la cuchilla se puede comprimir. Tenga especial cuidado cuando corte una tubería con un extremo acampanado o una tubería dentro de una zanja, ya que si no está sujeta correctamente, podría hundirse y comprimir la cuchilla.

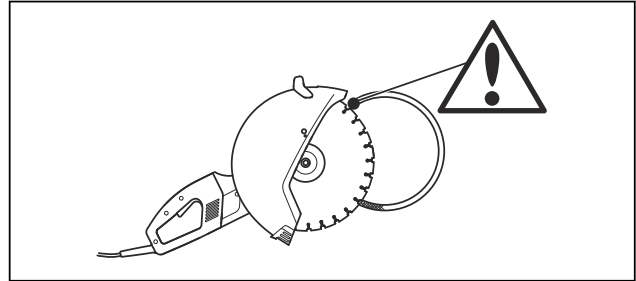
1. Asegure la tubería para que no se mueva ni gire durante el corte.



2. Corte la sección "I" de la tubería.



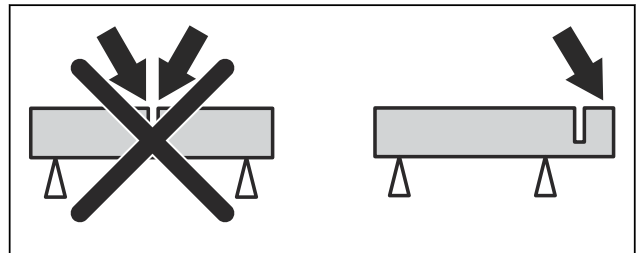
3. Asegúrese de que el corte se abre para evitar la compresión.



4. Muévase a la sección "II" y corte desde la sección I hasta la parte inferior de la tubería.
5. Muévase a la sección "III" y corte la parte restante de la tubería finalizando en la parte inferior.

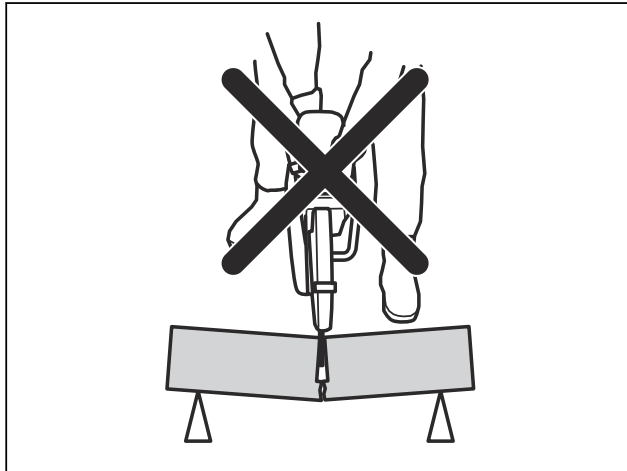
### Para evitar la reculada

1. Apoye siempre la pieza de trabajo para que el corte se pueda mantener abierto durante el corte. Cuando el corte está abierto, no hay reculada. Si el corte se cierra y comprime la cuchilla, siempre hay un riesgo de reculada.



2. Tenga cuidado cuando ponga la cuchilla en un corte existente.

3. Tenga cuidado con el movimiento de la pieza de trabajo o cualquier otra cosa que pueda ocurrir. El movimiento o cualquier otra cosa podrían causar que el corte se cierre y comprima la cuchilla.



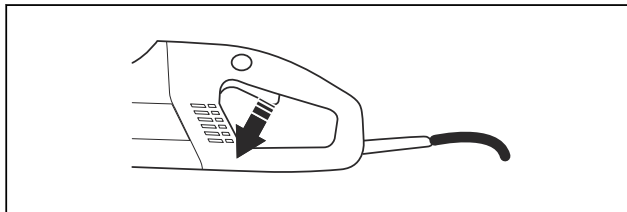
4. No permita que la tubería cuelgue y cierre el corte. De lo contrario, la cuchilla se puede comprimir en el sector de riesgo de reculada y puede ocurrir una reculada grave.
5. Apoye correctamente el extremo de la tubería para permitir que se mueva hacia abajo, de modo que el corte se pueda abrir y que no ocurra una compresión.

### Para examinar el interruptor de encendido



**ADVERTENCIA:** Un interruptor de encendido defectuoso se debe reemplazar en un taller de servicio autorizado.

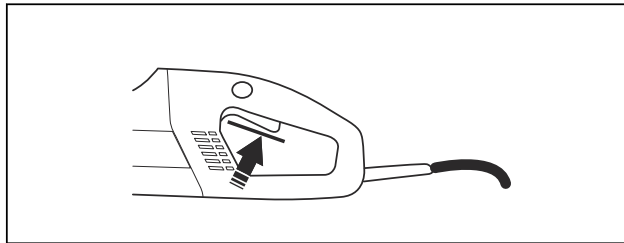
1. Arranque el producto y suelte el interruptor de encendido.



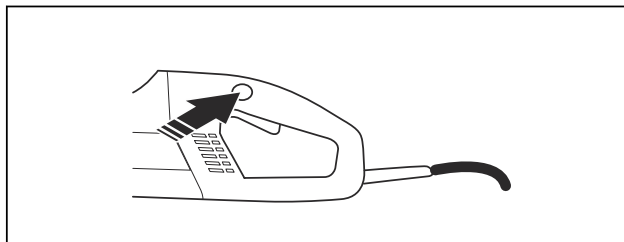
2. Asegúrese de que el motor y el disco de corte se detienen.

### Para examinar el bloqueador del interruptor de encendido

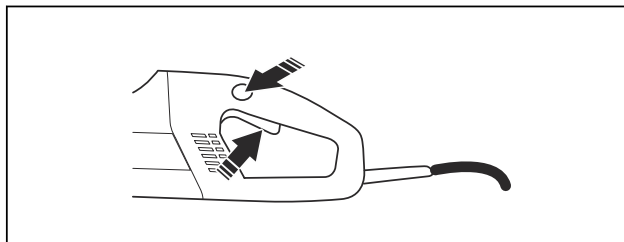
1. Asegúrese de que el interruptor de encendido esté bloqueado cuando el bloqueador del interruptor de encendido se encuentre en su posición original.



2. Presione el bloqueador del interruptor de encendido y asegúrese de que vuelva a su posición original cuando lo suelte.



3. Asegúrese de que el interruptor de encendido y el bloqueador del interruptor de encendido se mueven con facilidad y que los muelles de retorno funcionan correctamente.



4. Arranque el producto, suelte el interruptor de encendido y asegúrese de que el motor y el disco de corte se detienen.

### Para examinar la protección de la hoja



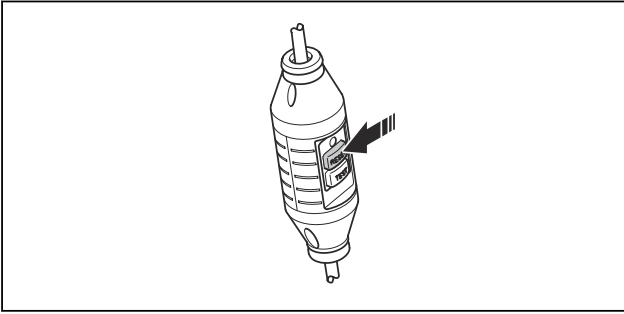
**ADVERTENCIA:** Siempre verifique que la protección de la hoja esté correctamente montada antes de arrancar el producto. Compruebe que el disco de corte esté correctamente montado y que no muestre señales de daños. Un disco de corte dañado puede ocasionar lesiones personales. Consulte las instrucciones en el capítulo Montaje.

- Asegúrese de que la protección está completa y que no tiene grietas ni deformaciones.

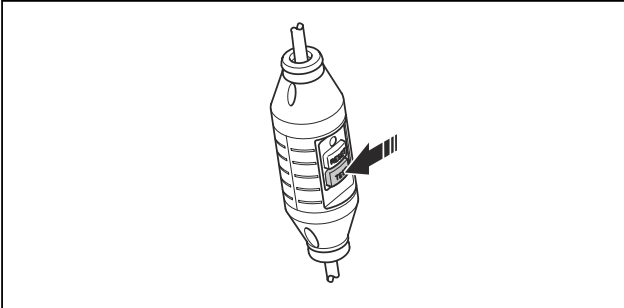
### Para comprobar el dispositivo de corriente residual

1. Conecte la máquina al enchufe.

- Presione el botón de REINICIO (verde) y el LED rojo se enciende.



- Arranque la máquina.
- Presione el botón de PRUEBA (azul).



- El interruptor de circuito de falla a tierra se debe accionar y la máquina se apaga instantáneamente. En caso contrario, comuníquese con su distribuidor.
- Presione el botón de REINICIO (verde).

## Antes de empezar



**ADVERTENCIA:** Lea atentamente el manual del usuario y asegúrese de que entiende las instrucciones antes de utilizar la máquina.



**ADVERTENCIA:** Use equipo de protección personal. Consulte *Equipo de protección personal* en la página 32.



**ADVERTENCIA:** Asegúrese de que no haya personas sin autorización en la zona de trabajo; de lo contrario, existe el riesgo de provocar lesiones personales graves.

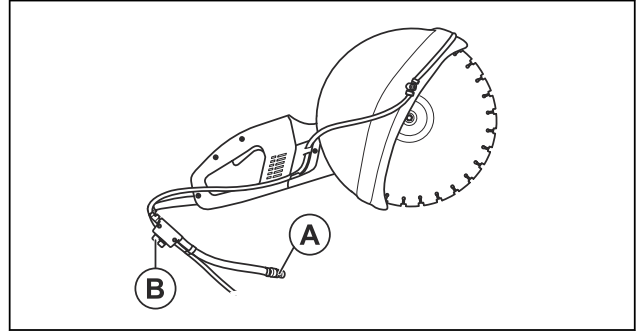


**ADVERTENCIA:** Asegúrese de que el voltaje de la red de electricidad corresponda al valor de la placa de características del producto.

Realice el mantenimiento diario. Consulte la sección **MANTENIMIENTO** en la página 45.

## Para conectar agua

- Conecte la manguera de agua al suministro de agua (A).



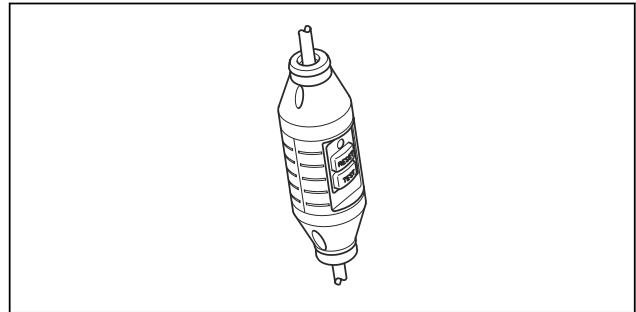
- Gire la llave de agua (B) para dejar que el agua fluya o se detenga.

## Para encender el interruptor de circuito de falla a tierra



**ADVERTENCIA:** Nunca utilice la herramienta si el interruptor de circuito de falla a tierra no se suministra con la herramienta. Un descuido puede provocar lesiones personales graves o incluso la muerte.

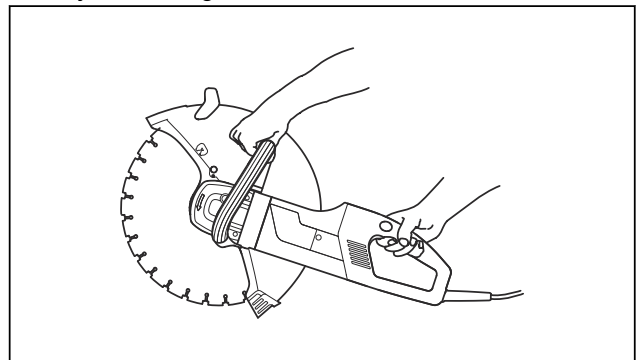
- Asegúrese de que el interruptor de circuito de falla a tierra está cerrado.



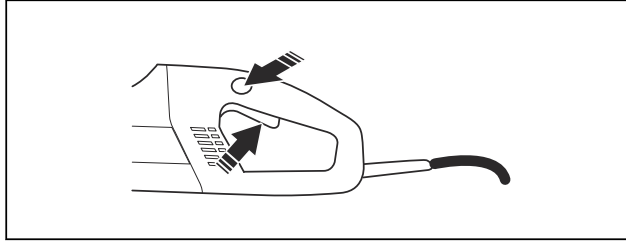
- Encienda el producto. Si el LED no está encendido, presione el botón de REINICIO (verde).
- Examine el interruptor de circuito de falla a tierra.

## Para poner en marcha la máquina

- Sujete el mango delantero con la mano izquierda.
- Sujete el mango trasero con la mano derecha.



- Presione el bloqueador del interruptor de encendido con el pulgar derecho y presione el interruptor de encendido.



- Opere el producto sin carga de forma segura durante al menos 30 segundos.

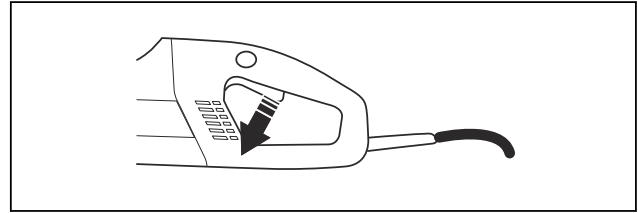
## Para detener la máquina



**ADVERTENCIA:** El disco de corte seguirá girando hasta un minuto después de que el

motor se detiene (conocido como giro en neutro) Asegúrese de que el disco de corte pueda girar con libertad hasta que se detenga por completo. Un descuido puede provocar lesiones personales graves.

- Suelte el interruptor de encendido para detener el motor.



## MANTENIMIENTO

### Programa de mantenimiento

En el programa de mantenimiento puede ver para qué piezas de su producto es necesario el mantenimiento.

También puede ver con qué intervalos se debe realizar el mantenimiento. Los intervalos se calculan sobre la base de un uso diario del producto y pueden variar si el índice de uso cambia.

	Diario	Semanal / 40 horas	Anualmente
Limpieza	Limpieza externa		
	Toma de aire de refrigeración		
Inspección funcional	Inspección general	Cepillos de carbón	
	Interruptor de encendido*		
	Bloqueador del interruptor de encendido*		
	Protección de la hoja*		
	Disco de corte**		
	Sistema de suministro de agua		
Cambiar			Grasa de la caja de cambios

\*Consulte las instrucciones en la sección *Dispositivos de seguridad en el producto en la página 32*.

\*\*Consulte las instrucciones en la sección *Discos de corte en la página 33*.

### Procedimientos de limpieza

#### Para realizar limpieza externa



**ADVERTENCIA:** No utilice una máquina de lavado de alta presión para lavar la parte interior del producto.

El producto es resistente al aire húmedo y a las salpicaduras durante el proceso de corte. Cuando corta materiales duros como concreto o ladrillos, que pueden contener sales, debe lavar el producto después del trabajo. La limpieza reduce el riesgo de acumulaciones en el interior del motor. Las acumulaciones en el interior del motor pueden provocar corriente de fuga entre los componentes eléctricos. La corriente de fuga puede

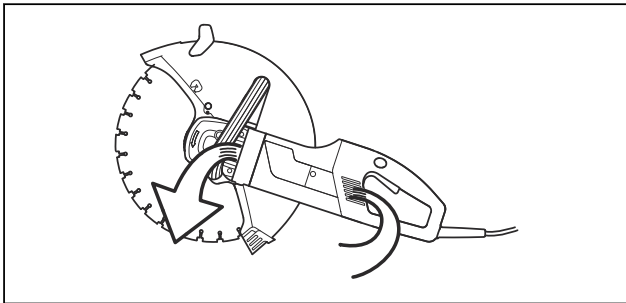
provocar que el interruptor de circuito de falla a tierra se accione de forma accidental.

1. Lave el producto diariamente con agua limpia después del trabajo.
2. Posicione el producto con el mango trasero hacia arriba.
3. Lave las tomas de aire del mango trasero con agua limpia. El agua saldrá por las salidas de aire delanteras.
4. Conecte el enchufe y opere la máquina en seco durante unos 30 segundos para aumentar la velocidad de secado del motor.

### Para limpiar la toma de aire de refrigeración

El producto cuenta con un ventilador para permitir que la temperatura del motor disminuya. Opere el mango trasero del producto para absorber el aire de refrigeración a través de la rejilla. El aire puede pasar por el estator y el rotor y salir por la parte delantera del alojamiento del motor.

1. Mantenga siempre la aberturas de aire de refrigeración despejadas y limpias para enfriar de manera adecuada el producto.



2. Sople el aire comprimido con regularidad en el producto.

## Inspecciones funcionales

### Para hacer una inspección funcional general



**ADVERTENCIA:** Nunca utilice cables dañados. Pueden causar lesiones graves e incluso mortales.

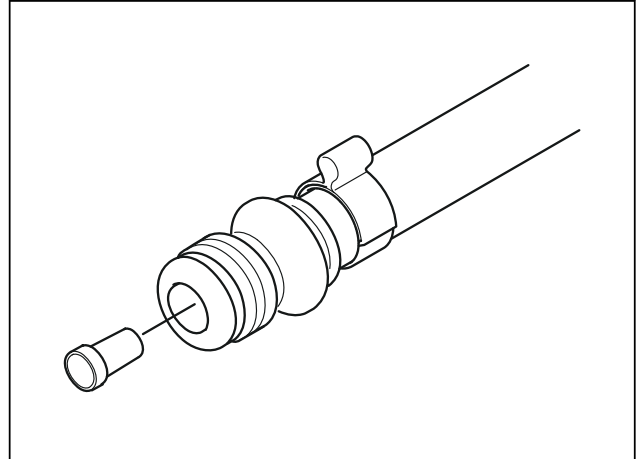
1. Asegúrese de que el cable y el cable de extensión están intactos y en buenas condiciones. Nunca utilice el producto si se daña el cable, debe entregarlo a un taller de servicio autorizado para su reparación.
2. Asegúrese de que las tuercas y los tornillos estén apretados.

### Para inspeccionar el sistema de suministro de agua

1. Compruebe que las boquillas en la protección de la hoja no están obstruidas.
2. Límpielas según sea necesario.

3. Compruebe que el filtro en el conector de agua no esté obstruido.

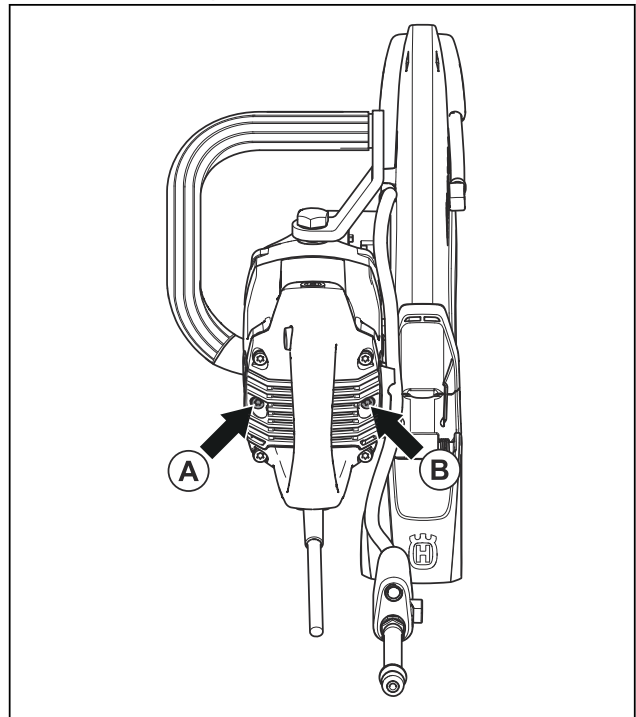
4. Límpielo según sea necesario.



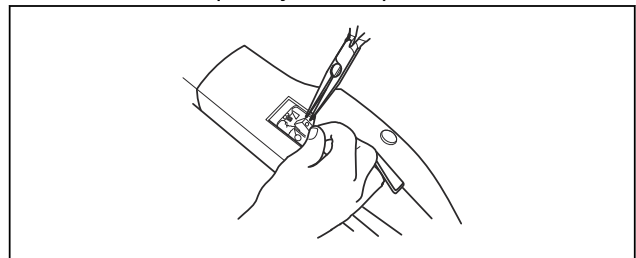
### Para sustituir los cepillos de carbón

Sustituya los cepillos de carbón si están desgastados, agrietados o si están dañados de alguna otra forma. Sustituya todos los cepillos de carbón al mismo tiempo.

1. Afloje los dos tornillos (A) y (B) para retirar la cubierta de inspección.



2. Quite el cable que sujeta el cepillo de carbón.



3. Levante el muelle y luego quite el cepillo de carbón del sujetador de cepillos.
4. Limpie los sujetadores de cepillos con un cepillo seco.
5. Sople con cuidado el polvo.
6. Instale los nuevos cepillos de carbón y, al mismo tiempo, asegúrese de que se deslizan con facilidad en los sujetadores de cepillos.
7. Doble hacia abajo los muelles y apriete el cable.
8. Opere los nuevos cepillos de carbón durante aproximadamente 40 minutos en ralentí.

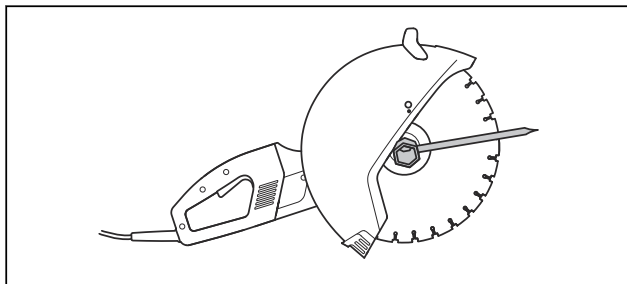
### Para llenar con grasa la caja de cambios

No llene la caja de engranajes completamente con grasa. La grasa se expande mientras la temperatura del producto aumenta durante el funcionamiento. Si llena la caja de engranajes completamente con grasa, podría causar daños en los sellos y fugas de grasa.

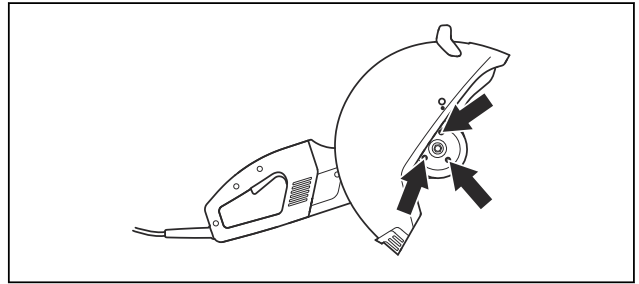
La caja de engranajes debe contener 90 gramos (0,2 libras) de grasa en total. Utilice solo la grasa recomendada por Husqvarna.

Debe desmontar las siguientes piezas para sustituir la grasa de la caja de engranajes:

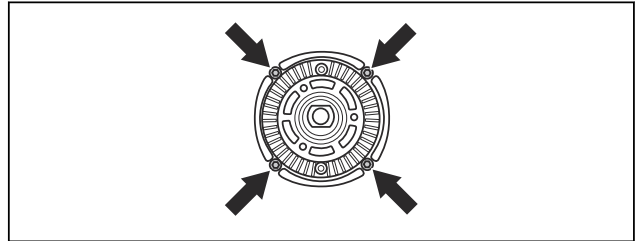
1. Desmonte las arandelas de brida que sujetan el disco de corte.



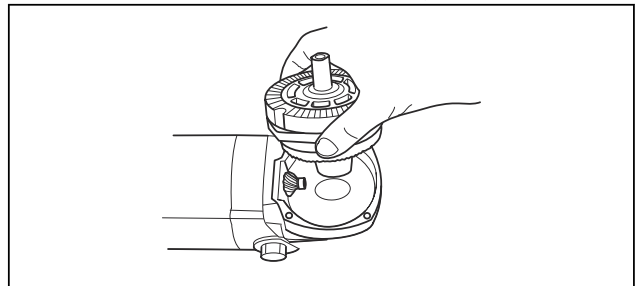
2. Desmonte el aro de sellado.
3. Desmonte la brida de apoyo para la protección.



4. Desmonte la protección de la hoja.
5. Retire los cuatro tornillos que sujetan la protección.



6. Levante la protección junto con la unidad de rueda motriz fuera de la caja de engranajes.



7. Elimine la grasa y llene la caja de engranajes con grasa para engranajes nueva y de buena calidad.

## TRANSPORTE, ALMACENAMIENTO Y ELIMINACIÓN

### Transporte

#### Transporte del producto

- Asegure el producto durante el transporte para evitar daños y accidentes de transporte.

#### Transporte de los discos de corte

- No transporte la cortadora con el disco de corte instalado. Retire todos los discos de corte de la cortadora después de su uso.
- Revise las cuchillas nuevas para ver si hay daños de transporte.

### Almacenamiento

#### Almacenamiento del producto

- Guarde el producto en un área que se pueda cerrar para que esté fuera del alcance de niños y personas no autorizadas.

### Almacenamiento de discos de corte

- No almacene la cortadora con el disco de corte instalado. Retire todos los discos de corte de la cortadora después de su uso y almacénelos con cuidado.
- Almacene los discos de corte en un lugar seco y no expuesto al frío. Tenga especial cuidado con las cuchillas de corte abrasivo. Las cuchillas de corte abrasivo se deben almacenar en una superficie plana y nivelada. Si una cuchilla de corte abrasivo se almacena en condiciones húmedas, esto puede causar un desequilibrio y provocar lesiones.
- Inspeccione las nuevas cuchillas en busca de daños por almacenamiento.

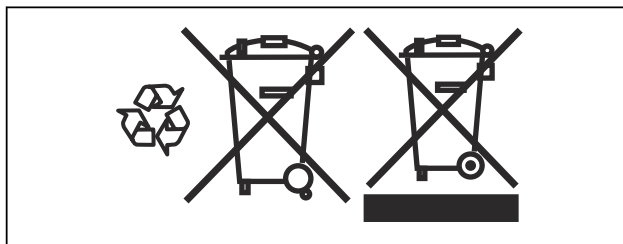
### Eliminación

Los símbolos en la máquina o en su embalaje indican que este producto no se puede tratar como residuo doméstico. Debe enviarse a una estación de reciclaje

apropiada para la recuperación del equipo eléctrico y electrónico.

Si se asegura de mantener correctamente esta máquina, puede contribuir a contrarrestar los posibles efectos negativos en el medioambiente y en las personas que, de lo contrario, podrían resultar afectadas debido a la gestión incorrecta de los residuos de este producto. Para obtener información más detallada sobre el reciclaje de este producto, comuníquese con su municipalidad, servicio de

recolección de residuos domésticos o con la tienda donde compró el producto.



## DATOS TÉCNICOS

### Datos técnicos

<b>K 4000</b>		
Clase de protección		I
Velocidad máxima de eje de salida, rpm	120 V, 60 Hz	3400
	230 V, 50 Hz	3600
<b>Voltaje nominal, V</b>		
Europa		230
Reino Unido e Irlanda		110
EE. UU. / Canadá / Japón		100-120
Australia		230
<b>Potencia nominal, W</b>		
Europa	230 V, 50 Hz	2700/12 A
Reino Unido e Irlanda	110 V, 50 Hz	2200/20 A
EE. UU. / Canadá / Japón	100-120 V, 50-60 Hz	15 A
Australia	230 V, 50 Hz	2300/10 A
<b>Peso</b>		
Máquina sin paquete de cables, sin cuchilla y accesorio de aspiradora, kg (libras)		7,6 (16,7)
<b>Refrigeración por agua</b>		
Refrigeración por agua de la cuchilla		Sí
Racor de conexión		Tipo "Gardena"
Presión recomendada del agua, bar (PSI)		0,5-8 (7,3-116)
<b>Emisiones sonoras (consulte la Nota 1)</b>		
Nivel de potencia acústica, medido en dB (A)		104
Nivel de potencia acústica, garantizado $L_{WA}$ dB (A)		105
<b>Niveles sonoros (consulte la Nota 2)</b>		
Nivel de presión acústica equivalente en el oído del operador, dB (A)		95
<b>Niveles de vibración equivalentes, <math>a_{hveq}</math> (consulte la Nota 3)</b>		



<b>K 4000</b>	
Mango delantero, m/s <sup>2</sup>	3,5
Mango trasero, m/s <sup>2</sup>	3,5
<p><b>Nota 1:</b> Emisiones sonoras en el medioambiente medidas como potencia acústica (LWA) en conformidad con la directiva 2000/14/EC. La diferencia entre la potencia acústica garantizada y medida es que la potencia acústica garantizada también incluye la dispersión en el resultado de la medición y las variaciones entre los distintos productos del mismo modelo según la directiva 2000/14/EC.</p> <p><b>Nota 2:</b> El nivel de presión acústica equivalente, de acuerdo con EN ISO 19432, se calcula como el total de energía de tiempo ponderado para diferentes niveles de presión acústica bajo diversas condiciones de trabajo. Los datos informados para el nivel de presión acústica equivalente del producto tienen una dispersión estadística típica (desviación estándar) de 1 dB (A).</p> <p><b>Nota 3:</b> El nivel de vibración equivalente, de acuerdo con EN ISO 19432, se calcula como el total de energía de tiempo ponderado para niveles de vibración bajo diversas condiciones de trabajo. Los datos informados para nivel de vibración equivalente tienen una dispersión estadística típica (desviación estándar) de 1 m/s<sup>2</sup>.</p>	

## Disco de corte abrasivo y de diamante recomendado

Disco de corte, mm (pulgada)	350 (14)
Velocidad periférica máxima, m/s (pies/s)	100 (19600)
Velocidad máxima de la cuchilla, rpm	3900
Profundidad máxima de corte, mm (pulgada)	125 (4 59/64)
Profundidad máxima de corte con accesorio de aspiradora, mm (pulgada)	119 (4 11/16)



**AVISO:** Las siguientes recomendaciones se aplican al área mínima de cable relativa al cable de extensión máxima. Siga las recomendaciones para evitar la reducción del rendimiento y daños al producto.

Área del cable	1,5 mm <sup>2</sup>	2,5 mm <sup>2</sup>
Voltaje de entrada: 100-120 V	20 m	40 m
Voltaje de entrada: 220-240 V	30 m	50 m

## DECLARACIÓN DE GARANTÍA DE ESTADOS UNIDOS

### Política de garantía

Todos los reclamos de garantía se determinarán después de una inspección en una instalación designada. Se requiere una Autorización de devolución de mercadería para todos los reclamos de garantía. Comuníquese con el departamento de Servicio al cliente de Husqvarna al 800-845-1312 para una Autorización de devolución de mercadería. El cliente debe realizar un pago previo del flete y asumir cualquier gasto de mano de obra requerido para devolver o reemplazar un producto enviado para la evaluación de garantía.

Husqvarna pagará los gastos de envío de devolución para productos de reemplazo aprobados o reparados.

### EQUIPOS

Se garantiza que el equipo fabricado por Husqvarna no tiene defectos de fabricación en el uso normal durante un período de dos (2) años a partir de la fecha de compra del comprador original. Los fabricantes de componentes ofrecen períodos de garantía por

separado. Llame al departamento de Servicios técnicos al 800-288-5040 para obtener información completa.

Nuestra obligación conforme a esta garantía se limita expresamente al reemplazo o reparación en Husqvarna Construction Products North America, Olathe, Kansas 66061 o en una instalación de servicio designada por nosotros, de dicha pieza o piezas que según la inspección deberán catalogarse como defectuosas.

Esta garantía no se aplica a los defectos causados por daños, uso no razonable o reparaciones fallidas realizadas por otras personas que no sean un proveedor de servicios autorizado por Husqvarna, o defectos causados por no haber realizado un mantenimiento razonable mientras se encontraba en posesión del consumidor. Además, la garantía será nula si el producto o cualquiera de sus componentes se encuentra alterado o modificado por el comprador de consumo o si el producto se utiliza de una manera inadecuada o con herramientas no recomendadas por el fabricante.

**Excepciones:** Motores de perforadora - 3 meses, sierras de pared - 1 año, cortadoras - 3 meses, DM230 - 1 año, DM225 - 3 meses, sistemas Gyro - 1 año, sistema CD40 - 1 año, DS160 C - 1 año, Smart box - 1 año, CS2515 - 1 año, PP455 E - 1 año, PP345 E - 1 año, HP40 - 1 año.

**Materiales desgastados:** Filtros, bujías, cojinetes\*, correas, ruedas\*\* y almohadillas desgastadas.

\*Excepto el sistema IntelliSeal™. \*\*Excepto la deslaminación.

---

# Table des matières

---

INTRODUCTION.....	51	ENTRETIEN.....	70
SÉCURITÉ.....	53	TRANSPORT, ENTREPOSAGE ET MISE AU	
MONTAGE.....	59	REBUT.....	73
UTILISATION.....	64	DONNÉES TECHNIQUES.....	73
		DÉCLARATION DE GARANTIE AUX ÉTATS-UNIS....	75

---

## INTRODUCTION

---

### Responsabilité du propriétaire

---



**AVERTISSEMENT :** La coupe, en particulier la coupe à sec, produit de la poussière qui provient du matériau coupé, qui contient souvent de la silice. La silice est un composant de base du sable, du quartz, de la brique d'argile, du granit et de nombreux autres pierres et minéraux. L'exposition à une quantité excessive de ces poussières peut entraîner :

une maladie respiratoire (réduisant la capacité à respirer), notamment la bronchite chronique, la silicose et la fibrose pulmonaire causée par l'exposition à la silice. Ces maladies peuvent être fatales;

Des irritations et éruptions cutanées.

Le cancer, selon le NTP (National Toxicology Program) et le CIRC (Centre International de recherche sur le cancer).



**AVERTISSEMENT :** Prendre les précautions suivantes :

Éviter l'inhalation et le contact cutané avec les poussières, brouillards et fumées.

S'assurer que les personnes à proximité portent un dispositif de protection respiratoire approprié, tel que des masques antipoussière filtrant les particules microscopiques. (Voir OSHA 29 CFR Part 1926.1153)

Pour réduire les émissions de poussières, effectuer une coupe humide lorsque cela est possible. Si une coupe à sec est nécessaire, utiliser l'unité d'aspiration.

Il est de la responsabilité du propriétaire ou de l'employeur de s'assurer que l'utilisateur possède les connaissances nécessaires pour manipuler le produit en toute sécurité. Les superviseurs et les utilisateurs doivent avoir lu et compris le manuel d'utilisation. Ils doivent être conscients des éléments suivants :

- Les consignes de sécurité relatives aux produits.

- L'éventail d'applications du produit et ses limites.
- La manière dont le produit doit être utilisé et entretenu.

La législation nationale peut réglementer l'utilisation de ce produit. Rechercher la législation en vigueur où le travail est exécuté avant d'utiliser le produit.

### Description du produit

La K 4000 est une découpeuse portable à haut régime qui est conçue pour couper les matériaux durs tels que la maçonnerie et l'acier. Elle ne doit pas être utilisée à des fins qui ne sont pas décrites dans ce manuel. L'utilisation en toute sécurité de ce produit requiert que l'utilisateur lise attentivement ce manuel. Consultez votre concessionnaire ou Husqvarna pour obtenir des renseignements supplémentaires.

### Conception et caractéristiques

#### Caractéristiques

La découpeuse K 4000 utilise une technologie innovante pour offrir la fiabilité et la haute performance et fournir des solutions techniques de pointe tout en respectant l'environnement.

Certaines des caractéristiques uniques de la K 4000 sont décrites ci-dessous.

#### Elgard™

Elgard™ est un système électronique qui protège le moteur contre la surcharge. Cette protection évite de trop solliciter la machine et allonge sa durée de vie. Avec l'aide d'Elgard™, la machine indique lorsque sa charge se rapproche du maximum.

#### Softstart™

Softstart™ est un limiteur de courant électronique permettant un démarrage en douceur.

#### Accessoire d'aspiration (non fourni)

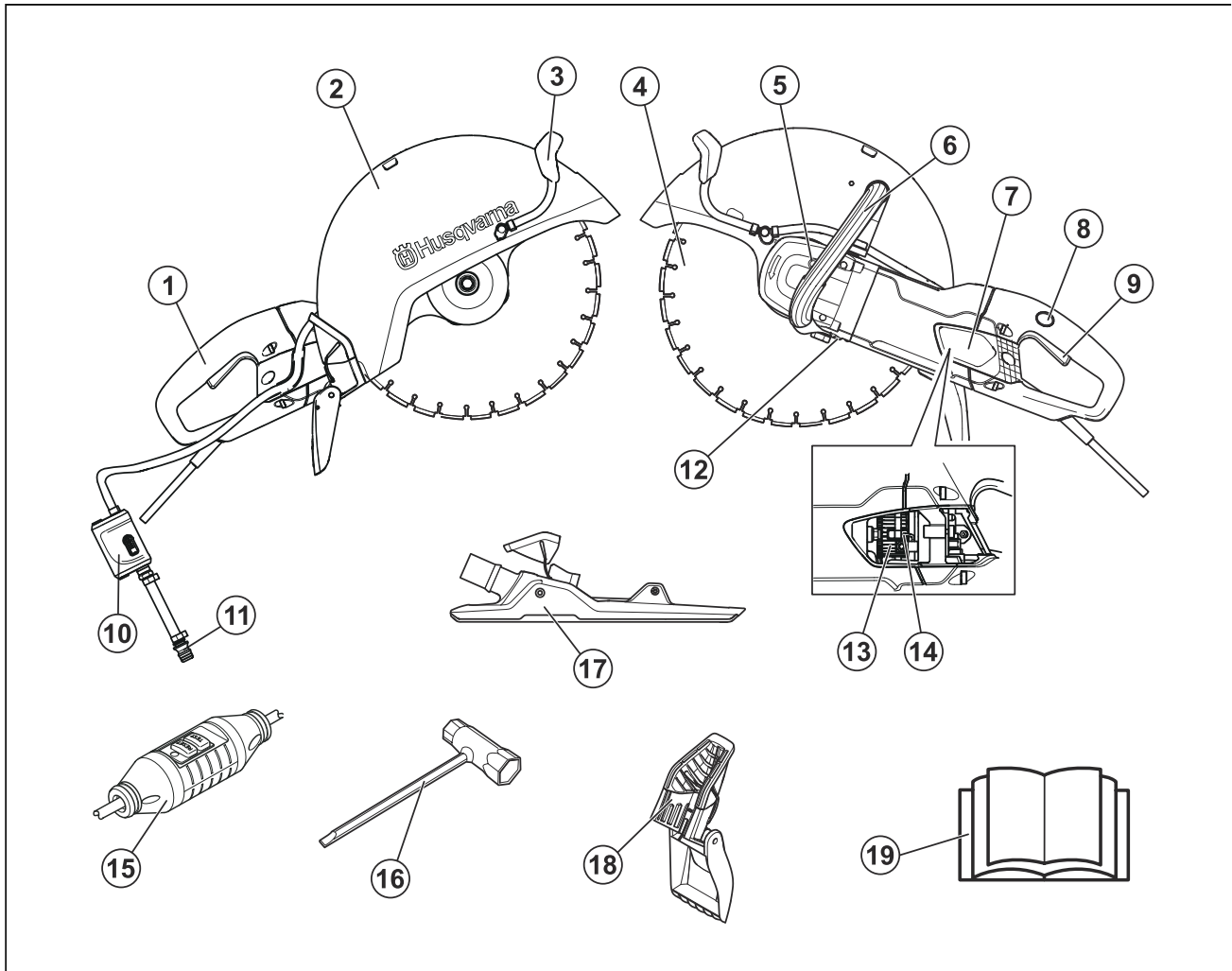
L'accessoire d'aspiration s'attache facilement à la machine et se branche à l'aspirateur/collecteur de poussière pour une gestion efficace des poussières lors d'une découpe à sec.

## Utilisation prévue

Ce produit est conçu et prévu pour la découpe de carreaux et de pierres. Toute autre utilisation est inappropriée.

Le produit est destiné à être utilisé dans les applications industrielles par des utilisateurs expérimentés.

## Présentation de l'appareil



1. Poignée arrière
2. Protège-lame
3. Ensemble d'arrosage
4. Lame de coupe (non fournie)
5. Blocage de l'arbre
6. Poignée avant
7. Couvercle d'inspection
8. Blocage de l'interrupteur
9. Interrupteur
10. Robinet d'eau avec limiteur de débit
11. Raccord de l'eau
12. Plaque signalétique
13. Support de balais
14. Balais de charbon
15. Dispositif de protection contre les courants résiduels (pas pour le Royaume-Uni et l'Irlande)

16. Clé universelle
17. Accessoire d'aspiration (accessoire non fourni)
18. Dispositif de protection contre les éclaboussures
19. Manuel de l'opérateur

## Symboles figurant sur l'appareil



**AVERTISSEMENT!** Cet appareil peut être dangereux s'il est utilisé incorrectement ou avec insouciance; il peut causer des blessures graves ou mortelles à l'opérateur ou à des personnes à proximité.



Lire attentivement le manuel d'utilisation et veiller à bien comprendre les instructions avant d'utiliser le produit.



Porter un équipement de protection. Pour plus d'instructions, reportez-vous à *Équipement de protection personnelle* à la page 57.



**AVERTISSEMENT!** La poussière produite lors de la coupe peut causer des lésions si elle est inhalée. Utiliser un masque filtrant approprié. Éviter d'inhaler les gaz d'échappement. Toujours assurer une bonne ventilation.



**AVERTISSEMENT!** Les étincelles produites par la lame de coupe peuvent provoquer un incendie en cas de contact avec des matériaux combustibles tels que l'essence, le bois, les vêtements, l'herbe sèche, etc.



**AVERTISSEMENT!** Les rebonds peuvent être soudains, rapides et violents et causer des blessures pouvant être mortelles. Lire et comprendre les instructions du manuel avant d'utiliser le produit.



**AVERTISSEMENT!** S'assurer que les lames ne comportent ni fissures ni dommages de toute autre façon.



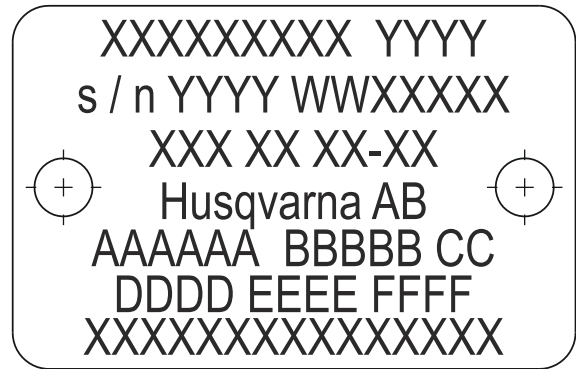
**AVERTISSEMENT!** Ne pas utiliser des lames de scie circulaires.



Conforme aux normes UL 60745-1 et 60745-2-5. Certifié CSA C22.2 60745-1 et 60745-2-5.

**Remarque :** Les autres symboles et autocollants apposés sur le produit se rapportent aux exigences en matière de certification pour certains marchés.

## Plaque signalétique



Rangée 1 : Marque, modèle (X, Y)

Rangée 2 : N° de série avec date de fabrication (Y, W, Z) : Année, semaine, n° de séquence

Rangée 3 : Numéro du produit (X)

Rangée 4 : Fabricant

Rangée 5 : A : Régime max. de l'arbre de sortie, B : Diamètre de la lame de coupe, C : Diamètre du boulon de lame

Rangée 6 : D : Tension d'entrée, E : Courant d'entrée, F : Fréquence d'entrée

Rangée 7 : Pays d'origine

## Responsabilité concernant le produit

Comme indiqué dans les lois en vigueur sur la responsabilité concernant les produits, nous ne serons pas tenus responsables des dommages que notre produit causerait dans les situations suivantes :

- Le produit n'est pas réparé de façon adéquate.
- Le produit est réparé avec des pièces qui ne sont pas fournies ou homologuées par le fabricant.
- Le produit comprend un accessoire qui n'est pas fourni ou homologué par le fabricant.
- Le produit n'est pas réparé par un centre de service après-vente agréé ou par une autorité homologuée.

# SÉCURITÉ

## Définitions relatives à la sécurité

Les avertissements, recommandations et remarques soulignent des points du manuel d'utilisation qui revêtent une importance particulière.



**AVERTISSEMENT :** Indique la présence d'un risque de blessure ou de décès de l'utilisateur ou de personnes à proximité si les instructions du manuel ne sont pas suivies.



**MISE EN GARDE :** Indique la présence d'un risque de dommages au produit ou à l'outil, à d'autres appareils ou à la zone adjacente si les instructions du manuel ne sont pas suivies.

**Remarque :** Utilisé pour donner des renseignements plus détaillés qui sont nécessaires dans une situation donnée.

## Consignes générales de sécurité

Il n'est pas possible de couvrir toutes les situations imaginables auxquelles vous pourriez faire face. Toujours faire preuve d'attention et de bon sens. En cas d'appréhension, arrêter la machine et demander l'avis d'un expert. Communiquer avec le distributeur, l'agent de maintenance ou un utilisateur expérimenté. Ne pas tenter d'effectuer des tâches si vous avez des doutes!

**Remarque :** Conserver ces instructions et consignes pour consultation ultérieure.



**AVERTISSEMENT :** Pour réduire les risques de blessures, l'opérateur doit lire le manuel de l'utilisateur.



**AVERTISSEMENT :** Ne jamais utiliser un produit dont l'équipement de sécurité est défectueux! Si une inspection du produit détecte une panne, communiquer avec un agent d'entretien pour réparation.



**AVERTISSEMENT :** Lire attentivement le manuel d'utilisation et veiller à bien comprendre les instructions avant d'utiliser le produit. Il est recommandé que les utilisateurs qui se servent du produit pour la première fois obtiennent également des consignes pratiques avant de l'utiliser.



**AVERTISSEMENT :** Garder en tête que c'est vous, l'opérateur, qui êtes responsable de protéger les personnes et leurs biens de tout accident ou danger.



**AVERTISSEMENT :** Le produit doit être propre. Les signes et les autocollants doivent être entièrement lisibles.



**AVERTISSEMENT :** Cet appareil peut être dangereux s'il est utilisé incorrectement ou avec insouciance; il peut causer des blessures graves ou mortelles à l'opérateur ou à des personnes à proximité.



**AVERTISSEMENT :** Ne jamais laisser des enfants ni des personnes n'ayant pas été formées à l'utilisation du produit l'utiliser ou l'entretenir.



**AVERTISSEMENT :** Le produit ne sera pas utilisé par des enfants ou des personnes aux capacités physiques, sensorielles ou mentales limitées ou manquant d'expérience et de connaissances.



**AVERTISSEMENT :** Ne laissez jamais des gens utiliser le produit sans d'abord s'assurer qu'ils ont lu et compris le contenu du manuel de l'opérateur.



**AVERTISSEMENT :** Ne jamais utiliser le produit sous l'effet de la fatigue, sous l'influence de l'alcool, de drogues, de médicaments ou de toute substance qui pourrait affecter la vision, l'attention, la coordination des gestes ou le jugement.



**AVERTISSEMENT :** Les modifications et/ou les accessoires non autorisés peuvent entraîner des blessures graves ou la mort de l'utilisateur ou d'autres personnes. La conception du produit ne peut en aucun cas être modifiée sans l'autorisation du fabricant.



**AVERTISSEMENT :** Ne pas modifier ce produit ou l'utiliser s'il semble avoir été modifié par d'autres.



**AVERTISSEMENT :** Ne jamais utiliser un appareil défectueux. Effectuer les vérifications de sécurité, de maintenance et d'entretien conformément aux instructions fournies dans ce manuel. Certaines mesures de maintenance et d'entretien doivent être effectuées par des spécialistes formés et qualifiés.



**AVERTISSEMENT :** Toujours utiliser des accessoires d'origine.



**AVERTISSEMENT :** Ce produit produit un champ électromagnétique pendant le fonctionnement. Ce champ magnétique peut, dans certains cas, nuire aux implants médicaux actifs ou passifs. Pour réduire le risque de blessures graves ou mortelles, nous recommandons aux personnes ayant des implants médicaux de consulter leur médecin et le fabricant de l'implant médical avant d'utiliser le produit.

## Consignes de sécurité pour l'assemblage



**AVERTISSEMENT :** Lire attentivement les messages d'avertissement qui suivent avant d'utiliser le produit.



**AVERTISSEMENT** : Ne jamais utiliser une lame de coupe avec un matériau autre que celui auquel elle est destinée.



**AVERTISSEMENT** : Ne jamais utiliser une lame de diamant pour couper du plastique. La chaleur produite lors de la découpe peut faire fondre le plastique qui peut coller à la lame de coupe et provoquer un rebond.



**AVERTISSEMENT** : Les lames de diamant deviennent très chaudes lorsqu'elles sont utilisées. Une lame surchauffée est le résultat d'une mauvaise utilisation et peut entraîner une déformation de la lame, ce qui causerait des dommages et des blessures.



**AVERTISSEMENT** : Une lame de coupe peut se briser et blesser gravement l'utilisateur.



**AVERTISSEMENT** : Le fabricant de la lame de coupe publie des avertissements et des recommandations pour l'utilisation et l'entretien adéquat de celle-ci. Ces avertissements sont fournis avec la lame de coupe. Lire et respecter toutes les instructions fournies par le fabricant de la lame de coupe.



**AVERTISSEMENT** : Vérifier la lame de coupe avant de l'assembler sur la scie, puis fréquemment en cours d'utilisation. Vérifier qu'il n'y a pas de fissures, de segments perdus (lames de diamant) ou de pièces brisées. Ne pas utiliser de lame de coupe endommagée.



**AVERTISSEMENT** : Vérifier l'intégrité de chaque nouvelle lame de coupe en la faisant fonctionner à plein régime pendant 1 minute environ.



**AVERTISSEMENT** : Ne jamais utiliser une lame de coupe dont le régime nominal est inférieur à celui de la découpeuse. Utiliser uniquement des lames de coupe conçues pour des découpeuses portables à haut régime.



**AVERTISSEMENT** : Ne pas utiliser de lames abrasives avec de l'eau. Lorsqu'une lame abrasive est exposée à l'eau ou à l'humidité, sa résistance diminue, ce qui augmente le risque qu'elle se brise.



**AVERTISSEMENT** : Utiliser seulement les lames qui sont conformes aux normes/réglementations nationales ou régionales telles que, par exemple, les normes EN 13236, EN12413 ou ANSI B7.1.



**AVERTISSEMENT** : La découpe de métal génère des étincelles pouvant engendrer un incendie. Ne pas utiliser la machine près de substances inflammables ou de gaz.



**AVERTISSEMENT** : Il est interdit de couper du métal lorsque l'accessoire d'aspiration est en place.



**AVERTISSEMENT** : Ne jamais utiliser de lames dentées, comme des lames de coupe de bois, des lames à dents circulaires, des lames à pointe au carbure, etc. Le risque de rebond augmente considérablement et les extrémités de lame peuvent se déchirer et être éjectées à haute vitesse. Toute négligence peut entraîner de graves blessures, ou même la mort.



**AVERTISSEMENT** : La réglementation gouvernementale exige un type différent de protection pour les lames à pointe au carbure, soit un protecteur sur 360 degrés qui n'est pas offert sur les découpeuses. Les découpeuses (cette scie) s'utilisent avec des lames abrasives ou des lames de diamant et sont équipées d'un système de protection différent, qui ne protège pas contre les dangers présentés par les lames de coupe de bois.

**Remarque** : Il est interdit de couper avec des lames abrasives lorsque l'accessoire d'aspiration est en place. L'utilisation de lames abrasives cause une usure anormale de l'accessoire d'aspiration.

## Consignes de sécurité pour l'utilisation

### Sécurité de l'aire de travail



**AVERTISSEMENT** : La distance de sécurité de la découpeuse est de 15 mètres (50 pieds). Il vous incombe de vous assurer qu'il n'y a pas d'animaux ni de personnes à l'intérieur de la zone de travail. Ne pas commencer la coupe avant d'avoir vérifié que la zone de travail est dégagée et avant de se tenir bien d'aplomb.

- Maintenir l'aire de travail propre et bien éclairée.

- Ne pas utiliser des outils électriques dans des atmosphères explosives, notamment en présence de liquides, gaz ou poussières inflammables.
- Tenir les enfants et les spectateurs à distance lorsque l'outil électrique est en marche.
- Observer l'environnement afin de s'assurer que rien ne peut nuire à la maîtrise du produit.
- S'assurer qu'aucune personne ni aucun objet ne peut entrer en contact avec l'équipement de coupe ou être heurté par des pièces projetées par la lame.
- Ne pas utiliser le produit par mauvais temps, par exemple, en cas de brouillard épais, de forte pluie, de vent violent, de grand froid, etc. Travailler par mauvais temps est éprouvant et ajoute des risques, par exemple, un sol glissant.
- Ne jamais commencer à utiliser le produit avant que la zone de travail soit dégagée et avant d'être en parfait équilibre. Repérer les obstacles potentiels en cas de déplacement inattendu.
- S'assurer qu'aucun matériau ne peut se détacher et tomber, pendant la coupe, et blesser l'opérateur. Faites très attention quand vous travaillez sur une pente.
- S'assurer que l'éclairage de la zone de travail est suffisant pour que l'environnement de travail soit sécuritaire.
- S'assurer qu'aucun tuyau ou câble électrique ne passe dans l'aire de travail ou dans le matériau à découper.
- Lorsqu'on coupe dans un contenant (bidon, tube ou autre contenant), on doit s'assurer au préalable qu'il ne contient pas de matières inflammables ou volatiles.
- **Ne pas exposer l'outil électrique à la pluie ou à l'humidité.** L'infiltration d'eau dans un outil électrique augmente le risque d'électrocution.
- **Toujours manipuler le cordon avec soin. Ne jamais utiliser le cordon pour porter, tirer ou débrancher l'outil. Tenir le cordon à l'écart de la chaleur, de l'huile, des bords tranchants et des pièces mobiles.** Les cordons endommagés ou emmêlés augmentent le risque d'électrocution.
- **Pour le travail à l'extérieur, utiliser une rallonge adaptée à l'usage extérieur.** L'utilisation d'une telle rallonge réduit le risque d'électrocution.
- Vérifier que le câble et la rallonge sont intacts et en bon état. Ne jamais utiliser la machine si le câble est endommagé, et la confier à un atelier d'entretien agréé pour la faire réparer.
- Afin d'éviter la surchauffe, ne pas utiliser la rallonge pendant qu'elle est enroulée.
- Lorsqu'on doit utiliser une rallonge, choisir uniquement une rallonge certifiée et d'une longueur suffisante. Pour obtenir des renseignements supplémentaires, se reporter à la section *Données techniques à la page 73*. Un câble de taille insuffisante risque de réduire la capacité de la machine et de provoquer une surchauffe.
- Brancher la machine dans une prise mise à la terre. Vérifier que la tension de secteur correspond à la valeur indiquée sur la plaque signalétique de la machine.
- Lorsqu'on commence à utiliser la machine, s'assurer que le câble est derrière soi afin de ne pas risquer de l'endommager.

## Sécurité électrique



**AVERTISSEMENT :** La machine (Grande-Bretagne, 110 V) n'est pas équipée d'un disjoncteur de fuite à la terre. La machine doit toujours être utilisée avec un transformateur d'isolement comme protection en cas de problème électrique.



**AVERTISSEMENT :** Ne pas laver la machine avec de l'eau, car l'eau peut s'infiltrer dans le système électrique ou le moteur et endommager la machine ou provoquer un court-circuit.

- **La fiche d'un outil électrique doit être adaptée à la prise. Ne jamais modifier la fiche. Ne jamais utiliser une fiche d'adaptation avec un outil électrique mis à la terre.** L'utilisation de fiches non modifiées et de prises adaptées à la fiche permet de réduire les risques d'électrocution.
- **Éviter d'entrer en contact avec les surfaces mises à la terre (tuyaux, radiateurs, cuisinières, réfrigérateurs, etc.).** Le risque d'électrocution est plus important si le corps est mis à terre.
- **Lors de l'utilisation d'un outil électrique, toujours demeurer attentif et faire preuve de bon sens. Ne pas utiliser l'outil électrique si vous êtes fatigué ou sous l'emprise de drogues, de l'alcool ou de médicaments.** Tout moment d'inattention pendant l'utilisation d'un outil électrique peut causer de graves blessures.
- **Utiliser l'équipement de sécurité. Toujours porter des lunettes de protection.** En utilisant l'équipement de protection (masque antipoussière, chaussures de sécurité antidérapantes, casque, dispositif de protection pour les oreilles, etc.) qui convient aux conditions, on réduit les risques de blessure.
- Éviter tout démarrage accidentel. S'assurer que l'interrupteur est à la position d'arrêt avant le branchement.
- **Prévenir les démarrages accidentels. Vérifier que l'interrupteur est à la position d'arrêt avant de brancher l'outil dans la prise ou le bloc d'alimentation, de le saisir ou de le transporter.** Si l'on transporte un outil électrique en gardant le doigt sur l'interrupteur ou si l'on branche l'outil pendant que l'interrupteur est à la position de marche, on s'expose à des accidents.
- **Retirer toute clé ou clavette de réglage avant de mettre l'outil sous tension.** Une clé ou une clavette



reliée à une pièce mobile de l'outil peut causer une blessure.

- **Ne pas trop se pencher en avant. Toujours se tenir bien campé et en équilibre.** Cela permet de mieux contrôler l'outil lors d'un imprévu.
- **S'habiller de façon appropriée. Ne jamais porter des vêtements amples ou des bijoux. Garder les cheveux, les vêtements et les gants loin des pièces mobiles.** Les vêtements amples, bijoux et cheveux longs peuvent se prendre dans les pièces en mouvement.
- **Si des dispositifs sont fournis pour raccorder des systèmes de collecte et d'extraction de la poussière, s'assurer que ceux-ci sont utilisés et correctement branchés.** L'utilisation de dépoussiéreurs peut réduire les risques liés à la poussière.
- Se tenir loin des lames quand le moteur tourne.
- La surexposition aux vibrations peut entraîner des problèmes circulatoires ou des troubles nerveux, en particulier chez les personnes ayant des troubles circulatoires. En cas de symptômes liés à une surexposition aux vibrations, consulter un médecin. Voici certains de ces symptômes : engourdissement, perte de sensibilité, fourmillement, picotement, douleur, faiblesse musculaire, décoloration ou modification de l'épiderme. Ces symptômes apparaissent normalement aux doigts, aux mains et aux poignets. Ces symptômes peuvent être accentués par le froid.

## Équipement de protection personnelle



**AVERTISSEMENT :** Les produits tels que les couteaux, les meules ou les perceuses qui sablent ou forment une matière, peuvent entraîner la formation de poussière et de vapeurs qui peuvent contenir des produits chimiques dangereux. Vérifier le type de matériau avec lequel vous devez travailler et utiliser un masque filtrant approprié.



**AVERTISSEMENT :** Toujours utiliser un dispositif de protection homologué pour les oreilles. L'exposition prolongée au bruit peut causer des lésions auditives permanentes. Être attentif aux appels ou cris d'avertissement lors de l'utilisation des protecteurs d'oreilles. Toujours enlever les protecteurs d'oreilles dès que le moteur s'arrête.



**AVERTISSEMENT :** Il y a toujours un risque de blessures par écrasement lors de l'utilisation de produits contenant des pièces en mouvement. Porter des gants de protection afin d'éviter des blessures.



**AVERTISSEMENT :** Des étincelles peuvent jaillir et causer un incendie lors de l'utilisation du produit. Toujours garder l'équipement anti-incendie à portée de main.

Utiliser un équipement de protection individuelle homologué lors de l'utilisation du produit. Cet équipement n'élimine pas les risques de blessures, mais il peut en réduire la gravité en cas d'accident. Demander conseil au distributeur pour le choix d'un équipement adéquat.

Toujours porter :

- un casque de protection homologué
- des protecteurs d'oreilles
- des lunettes de protection approuvées En cas d'utilisation de visière, porter également des lunettes de protection approuvées. Les lunettes de protection homologuées doivent être conformes à la norme ANSI Z87.1 aux États-Unis ou à la norme EN 166 dans les pays de l'Union européenne. Les visières doivent être conformes à la norme EN 1731.
- Protection respiratoire approuvée.
- Gants de protection.
- des gants résistants à prise sûre
- des vêtements ajustés, résistants et confortables permettant une liberté de mouvement totale La découpe crée des étincelles qui peuvent enflammer les vêtements. Husqvarna recommande de porter du coton ignifugé ou du denim épais. Ne pas porter des vêtements composés de matières comme le nylon, le polyester ou la rayonne. Si elles s'enflamment, de telles matières peuvent fondre et adhérer à la peau. Ne pas porter une culotte courte.
- des bottes à coquille en acier et semelle antidérapante

Une trousse de premiers secours et un équipement anti-incendie doivent toujours être disponibles

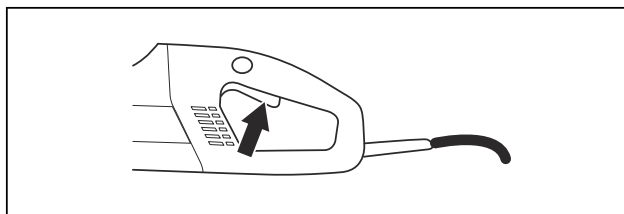
## Dispositifs de sécurité sur l'outil



**AVERTISSEMENT :** Lire attentivement les messages d'avertissement qui suivent avant d'utiliser le produit.

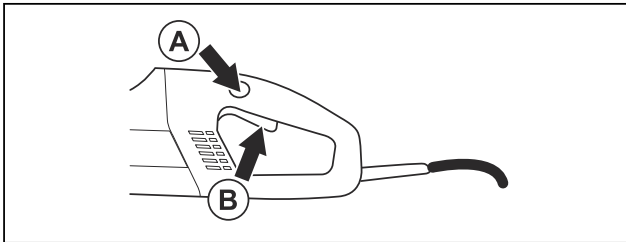
### Interrupteur

Appuyer sur l'interrupteur pour démarrer la découpeuse et relâcher l'interrupteur pour arrêter la découpeuse.



## Blocage de l'interrupteur

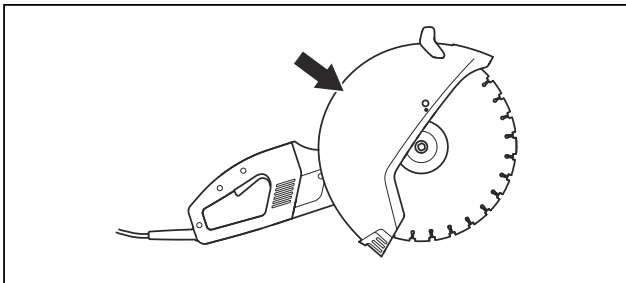
Le blocage de l'interrupteur est conçu pour éviter son actionnement accidentel. Appuyer sur le blocage de l'interrupteur (A) pour débloquer l'interrupteur (B).



Le blocage de l'interrupteur est débloqué tant que l'interrupteur est actionné. Quand la poignée est relâchée, l'interrupteur et le blocage de l'interrupteur reviennent tous deux en position initiale. Ce mouvement est commandé par deux ressorts de rappel indépendants. Dans cette position, la machine s'arrête et l'interrupteur se bloque.

## Protège-lame

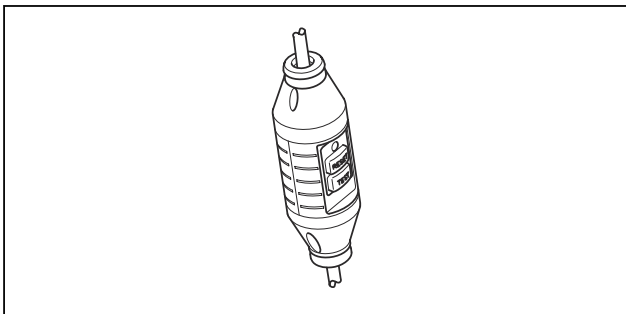
Le protège-lame recouvre la lame de coupe et est conçu pour éviter que des éclats de lame ou des fragments de coupe soient projetés vers l'utilisateur.



## Dispositif de protection contre les courants résiduels

Les disjoncteurs de fuite à la terre assurent une protection en cas de défaut électrique.

La DEL indique que le disjoncteur de fuite à la terre est en fonction et que la machine peut être mise sous tension. Si la DEL n'est pas allumée, appuyer sur le bouton de réinitialisation (vert).



## Consignes de sécurité pour la maintenance



**AVERTISSEMENT :** L'utilisateur ne doit effectuer que les travaux de maintenance et d'entretien décrits dans le présent manuel de l'opérateur. Les travaux plus importants doivent être effectués par un atelier d'entretien agréé.



**AVERTISSEMENT :** Le moteur doit être coupé et le commutateur d'arrêt doit être en position STOP (arrêt).



**AVERTISSEMENT :** Porter un équipement de protection personnelle. Voir *Équipement de protection personnelle* à la page 57.



**AVERTISSEMENT :** La durée de vie du produit peut être réduite et le risque d'accident peut augmenter si la maintenance de la machine n'est pas effectuée correctement et si l'entretien ou les réparations ne sont pas effectués de façon professionnelle. Pour obtenir des renseignements supplémentaires, communiquer avec l'atelier d'entretien le plus proche.



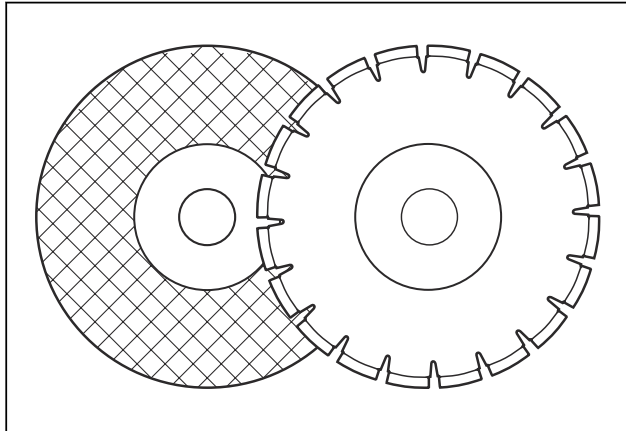
**MISE EN GARDE :** Demander régulièrement au concessionnaire Husqvarna de vérifier le produit et d'effectuer les ajustements et les réparations essentiels.

# MONTAGE

## Lames de coupe

Les lames Husqvarna sont des lames à haut régime approuvées pour les découpeuses portables.

- Les lames de coupe sont offertes en deux modèles de base : les lames abrasives et les lames de diamant.



- Les lames de haute qualité sont souvent plus économiques.
- Les lames de qualité inférieure ont souvent une capacité de coupe moindre et une durée de vie inférieure, ce qui résulte en un coût plus élevé lorsqu'on tient compte de la quantité de matériau qu'elles permettent de couper.
- S'assurer d'utiliser la bonne bague pour que la lame de coupe puisse être montée sur le produit. Pour obtenir des instructions, se reporter à *Montage de la lame de coupe* à la page 63.

## Lames de coupe appropriées

Lames de coupe	K 4000	K 4000 with a Vac attachment
Lames abrasives	Oui*	Non
Lames de diamant	Oui	Oui
Lames dentées	Non	Non
*Sans eau.		

Pour obtenir des renseignements supplémentaires, voir *Données techniques* à la page 73.

## Lames de coupe pour divers matériaux



**AVERTISSEMENT** : Ne jamais utiliser une lame de coupe avec un matériau autre que celui auquel elle est destinée.



**AVERTISSEMENT** : Ne jamais utiliser une lame de diamant pour couper du plastique. La chaleur produite lors de la découpe peut faire fondre le plastique qui peut coller à la lame de coupe et provoquer un rebond.



**AVERTISSEMENT** : La découpe de métal génère des étincelles pouvant engendrer un incendie. Ne pas utiliser le produit près des substances inflammables ou des gaz.



**AVERTISSEMENT** : Il est interdit de couper du métal lorsque l'accessoire d'aspiration est en place.

- Pour connaître les diverses applications qui conviennent, suivre les instructions fournies avec la lame de coupe ou consulter le concessionnaire.

	Béton	Métal	Plastique	Fonte
Lames abrasives*	X	X*	X	X
Lames de diamant	X	X**	----	X**

\*Uniquement sans l'accessoire d'aspiration.

\*\*Lames spécialisées uniquement. Uniquement sans l'accessoire d'aspiration.

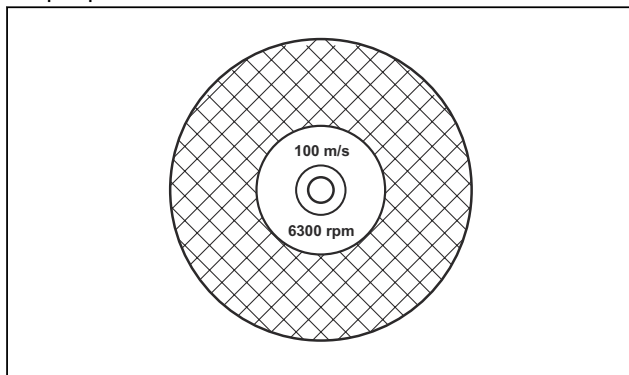
## Lames de coupe pour découpeuses portables à haut régime



**AVERTISSEMENT** : Ne jamais utiliser une lame de coupe dont le régime nominal est inférieur à celui de la découpeuse. Utiliser seulement les lames de coupe qui sont conformes aux normes nationales ou régionales telles que, par exemple, les normes EN 13236, EN12413 ou ANSI B7.1.

- De nombreuses lames de coupe potentiellement adaptables sur cette découpeuse sont conçues pour des scies fixes et ont un régime nominal inférieur à celui qui est requis par cette découpeuse portable. Ne jamais utiliser de lames de coupe ayant un régime nominal inférieur sur cette découpeuse.
- Les lames de coupe Husqvarna sont conçues pour les découpeuses portables à haut régime.

- Vérifier que la lame est approuvée pour un régime égal ou supérieur à celui qui est indiqué sur la plaque du moteur.



### Vibrations de la lame

- La lame peut perdre son arrondi et se mettre à vibrer si une pression d'avance trop élevée est appliquée.
- Une pression d'avance plus faible peut arrêter les vibrations. Sinon, remplacez la lame.

### Lames abrasives

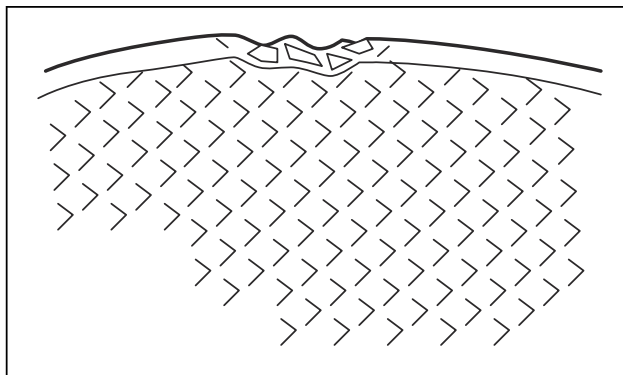


**AVERTISSEMENT** : Ne pas utiliser de lames abrasives avec de l'eau. Lorsqu'une lame abrasive est exposée à l'eau ou à l'humidité, sa résistance diminue, ce qui augmente le risque qu'elle se brise.

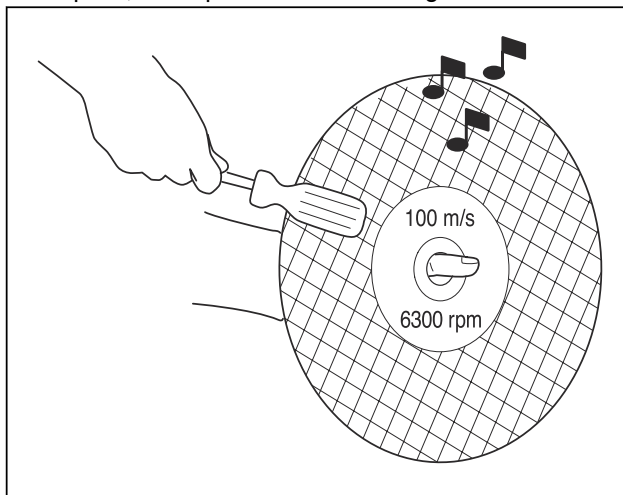


**MISE EN GARDE** : Il est interdit de couper avec une lame abrasive lorsque l'accessoire d'aspiration est en place. L'utilisation de lames abrasives cause une usure anormale de l'accessoire d'aspiration.

- Ne pas utiliser de disques usés renforcés provenant d'outils plus puissants. Les disques destinés aux gros outils ne sont pas adaptés aux régimes élevés des outils plus petits et risquent d'éclater.
- Le matériau de coupe sur les lames abrasives est constitué de grains abrasifs agglomérés par un liant organique. Les lames renforcées sont faites de tissu ou de fibres qui résistent à la rupture complète au régime de travail maximal, au cas où la lame serait fissurée ou endommagée.
- La performance d'une lame de coupe dépend du type et de la dimension des particules abrasives, ainsi que de la nature et de la dureté du liant.
- Vérifier que la lame de coupe n'est pas fissurée ni endommagée.



- Tester la lame abrasive en l'accrochant sur un doigt et en la frappant doucement avec un tournevis ou un objet similaire. Si la lame ne produit pas un son clair et plein, c'est qu'elle est endommagée.



- S'assurer qu'on utilise la lame abrasive correcte pour le matériau prévu.

Type de lame	Matériau
Béton	Béton, asphalte, pierre de maçonnerie, fonte, aluminium, cuivre, laiton, câbles, caoutchouc, plastique, etc.
Métal	Acier, alliages d'acier et autres métaux durs.

### Lames de diamant



**AVERTISSEMENT** : Ne jamais utiliser une lame de diamant pour couper du plastique. La chaleur produite lors de la découpe peut faire fondre le plastique qui peut coller à la lame de coupe et provoquer un rebond.



**AVERTISSEMENT** : Les lames de diamant deviennent très chaudes lorsqu'elles sont utilisées. Une lame surchauffée est le résultat d'une mauvaise utilisation et peut

entraîner une déformation de la lame, ce qui causerait des dommages et des blessures.

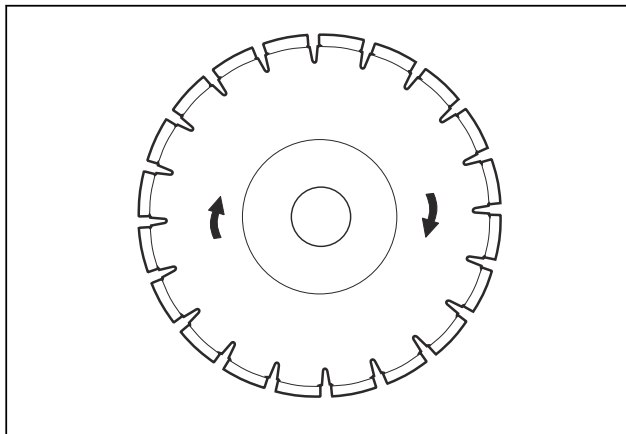


**AVERTISSEMENT** : La découpe de métal génère des étincelles pouvant engendrer un incendie. Ne pas utiliser le produit près des substances inflammables ou des gaz.

**Remarque** : Les lames de diamant sont offertes dans plusieurs catégories de résistance.

**Remarque** : Affûter la lame en coupant un matériau tendre tel que du grès ou du bloc.

- Toujours utiliser une lame de diamant affûtée.
- Les lames de diamant peuvent s'éémousser en cas de pression d'avance inadéquate ou de découpe de certains matériaux tel que du béton excessivement armé. Travailler avec une lame de diamant émoussée provoque une surchauffe, ce qui peut entraîner la chute des segments en diamant.
- Les lames de diamant se composent d'un cœur en acier fourni avec des segments qui contiennent des diamants industriels.
- Les lames de diamant sont recommandées pour tous les types de maçonnerie, le béton armé et d'autres matériaux composites.
- Les lames de diamant permettent d'obtenir un coût inférieur par opération de découpe, nécessitent moins de changement de lame et offrent une profondeur de découpe constante.
- Il convient d'utiliser des lames spéciales lors de la découpe de métal. Demander conseil au concessionnaire pour le choix du produit qui convient.
- En cas d'utilisation d'une lame de diamant, s'assurer qu'elle tourne dans le sens indiqué par la flèche sur la lame.



#### Lames de diamant pour coupe à sec

- Les lames de diamant pour coupe à sec peuvent être utilisées avec ou sans refroidissement à l'eau.

- Lors d'une coupe à sec, sortir la lame de son sillon de coupe toutes les 30 à 60 secondes et la laisser tourner dans l'air pendant 10 secondes pour la faire refroidir. Si cela n'est pas fait, la lame surchauffera.

#### Lames de diamant pour coupe à l'eau

**Remarque** : Ne pas utiliser l'accessoire d'aspiration lors d'une coupe à l'eau. La boue de béton humide réduit considérablement la capacité d'aspiration de l'accessoire.

- Les lames de diamant pour coupe à l'eau doivent être refroidies à l'eau. Autrement, elles risquent de surchauffer.
- L'eau refroidit la lame et augmente la durée de vie de l'outil, tout en réduisant la formation de poussière.
- Lors du refroidissement à l'eau, qu'on utilise pour couper le béton, l'eau refroidit la lame et augmente sa durée de vie, tout en réduisant la formation de poussière. Parmi les inconvénients, mentionnons les difficultés à très basse température, le risque d'endommagement du sol et d'autres éléments structuraux, ainsi que le risque de glissade.

#### Lame de diamant – jeu latéral

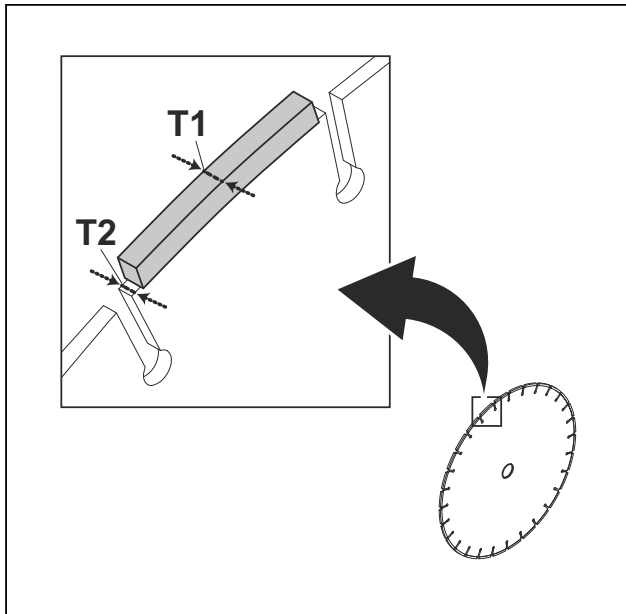


**AVERTISSEMENT** : Vérifier que le segment en diamant (T1) est plus large que le centre de la lame (T2), afin d'empêcher toute torsion dans la fente de coupe et tout rebond.

Remplacez la lame avant qu'elle soit complètement usée.



**MISE EN GARDE** : Dans certaines situations de coupe ou si l'on utilise des lames de mauvaise qualité, une usure excessive peut se produire sur le côté des segments.



Certaines lames Husqvarna sont offertes avec des indicateurs d'usure du jeu latéral, qui aident à déterminer la durée de vie de la lame.

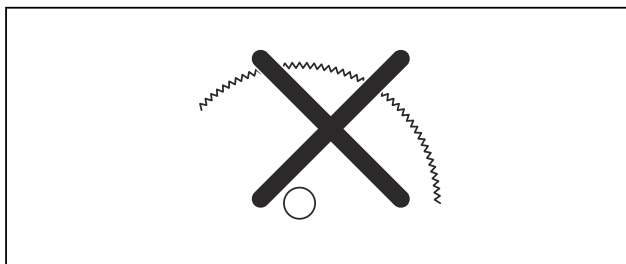
### Lames dentées



**AVERTISSEMENT** : Ne jamais utiliser de lames dentées, comme des lames de coupe de bois, des lames à dents circulaires, des lames à pointe au carbure, etc. Le risque de rebond augmente considérablement et les extrémités de lame peuvent se déchirer et être éjectées à haute vitesse. Toute négligence peut entraîner de graves blessures, ou même la mort.



**AVERTISSEMENT** : La réglementation gouvernementale exige un type différent de protection pour les lames à pointe au carbure, soit un protecteur sur 360 degrés qui n'est pas offert sur les découpeuses. Les découpeuses (cette scie) s'utilisent avec des lames abrasives ou des lames de diamant et sont équipées d'un système de protection différent, qui ne protège pas contre les dangers présentés par les lames de coupe de bois.



L'utilisation de cette découpeuse avec une lame à pointe au carbure constitue une violation des règles de sécurité du travail.

Compte tenu de la nature dangereuse et du caractère urgent des opérations de lutte contre l'incendie et de secours menées par les professionnels de la sécurité (pompiers) hautement qualifiés de divers organismes de sécurité publique, Husqvarna reconnaît que ces personnes peuvent utiliser cette découpeuse avec des lames à pointe au carbure dans certaines situations d'urgence parce que ces lames permettent de couper dans beaucoup de différentes combinaisons d'obstacles et de matériaux sans avoir à prendre le temps de changer de lame ou de machine. Lorsqu'on utilise cette découpeuse, on ne doit jamais oublier que les lames à pointe au carbure sont plus sujettes aux rebonds que les lames abrasives ou les lames de diamant si elles ne sont pas utilisées correctement. Les lames à pointe au carbure peuvent également projeter des morceaux de matériau.

Pour ces raisons, une découpeuse équipée d'une lame à pointe au carbure ne doit jamais être utilisée, sauf par des professionnels de la sécurité publique hautement qualifiés et conscients des risques liés à cette utilisation, et ce uniquement dans des situations d'urgence lorsque les autres outils sont jugés inefficaces pour les opérations de secours ou de lutte contre l'incendie. Une découpeuse équipée d'une lame à pointe au carbure ne doit jamais être utilisée pour couper du bois autrement que lors d'opérations de secours.

### Examen de l'arbre à broches et des rondelles d'accouplement

Examiner les rondelles d'accouplement et l'arbre à broches lorsqu'on remplace la lame.



**MISE EN GARDE** : N'utiliser que des rondelles d'accouplement fournies par Husqvarna et ayant un diamètre d'au moins 105 mm (4,1 po).



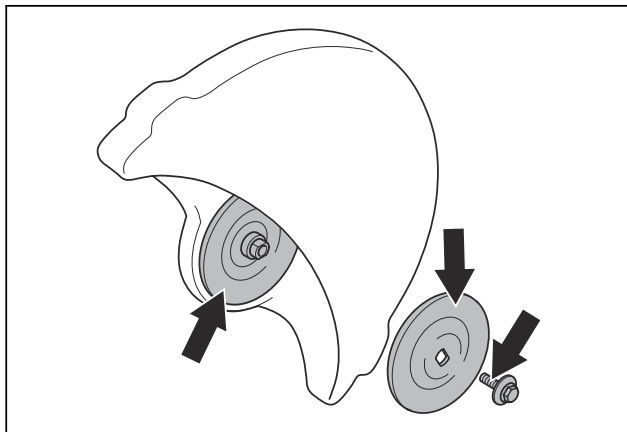
**MISE EN GARDE** : Ne pas utiliser de rondelles d'accouplement déformées, entaillées, bosselées ou sales.



**MISE EN GARDE** : Ne pas utiliser de rondelles d'accouplement de différentes dimensions.

1. Vérifier que les filets de l'arbre à broches ne sont pas endommagés.

- Vérifier que les surfaces de contact de la lame et des rondelles d'accouplement ne sont pas endommagées, sont de la bonne dimension, sont propres et fonctionnent correctement avec l'arbre à broches.



## Examen de la bague de l'arbre

Vérifier que les bagues de l'arbre sont en bon ajustement avec le trou central de la lame de coupe.

Le produit est fourni soit avec une bague fixe, soit avec une bague pouvant être retournée pour s'adapter à un trou central de 20 mm ou de 1 po (25,4 mm).

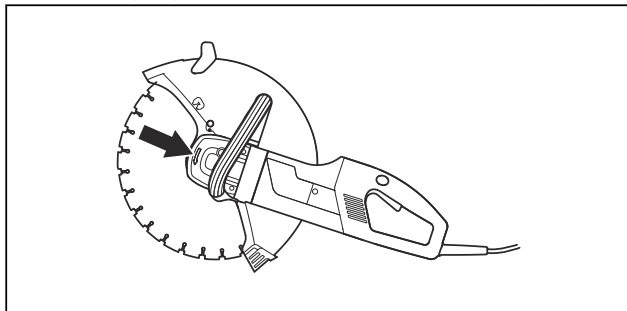
- S'assurer que la bague sur la tige de l'arbre du produit correspond au trou central de la lame de coupe.

Le diamètre du trou central est marqué sur la lame.

## Examen du sens de rotation de la lame de coupe

Si l'on utilise une lame de diamant, s'assurer qu'elle tourne dans le sens indiqué par la flèche sur la lame.

- Vérifier le sens de rotation de la lame de coupe qui est indiqué par les flèches sur le bras de coupe.

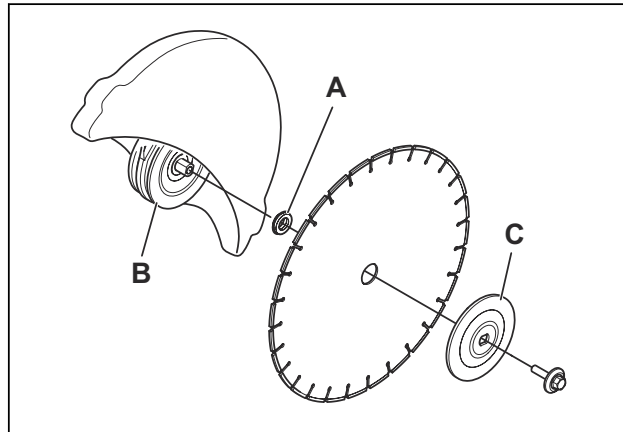


## Montage de la lame de coupe

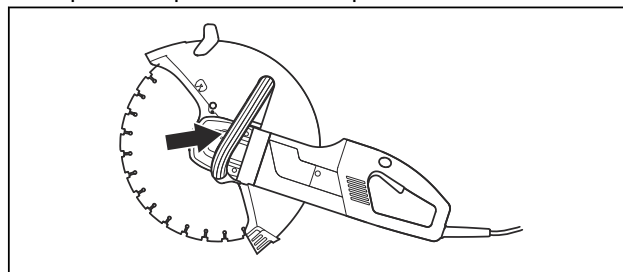
Le couple de serrage du boulon qui retient la lame de coupe est de 25 Nm (18,5 pi-lb).

Placer la lame de coupe sur la bague (A) entre la rondelle d'accouplement intérieure (B) et la rondelle d'accouplement (C). Tourner la rondelle d'accouplement

pour qu'elle s'ajuste sur l'arbre.



- Verrouiller la lame de coupe et l'arbre avec le bouton de blocage à l'arrière de la machine. Le bouton reprend sa position initiale quand il est relâché.



## Réglage du protège-lame



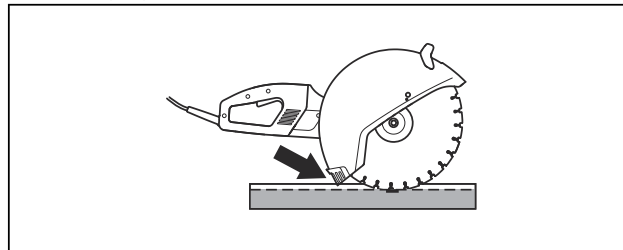
**AVERTISSEMENT :** Toujours s'assurer que le protège-lame est correctement installé avant de démarrer le produit.

Le protecteur de l'équipement de coupe doit être ajusté de sorte que sa partie arrière affleure la pièce à travailler.

Les étincelles et les projections de matériau coupé sont alors recueillies par le protecteur et éloignées de l'utilisateur.

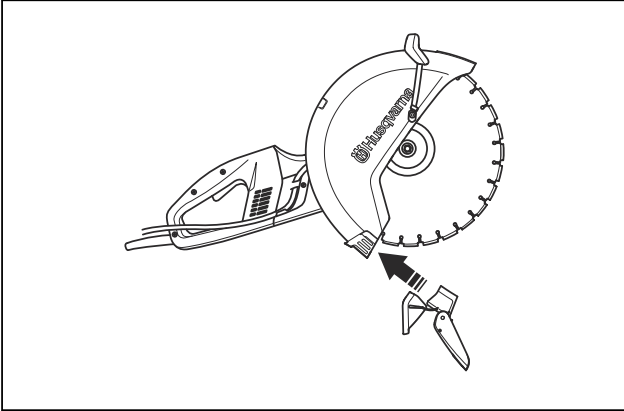
Le protège-lame est bloqué par friction.

- Appuyer les extrémités du protecteur contre la pièce à travailler ou ajuster le protecteur avec la poignée de réglage.

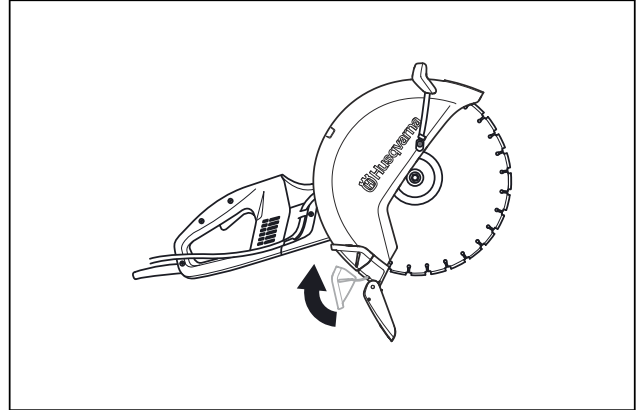


## Réglage du dispositif de protection contre les éclaboussures

1. Faire glisser le dispositif de protection contre les éclaboussures dans les fentes à l'arrière du couvercle de protection de la lame de coupe.



2. S'assurer que le loquet de verrouillage repose sur le tenon du couvercle. Relever le loquet de verrouillage et le pousser sur le couvercle de protection.



## UTILISATION

### Techniques de travail de base



**AVERTISSEMENT** : Ne pas tirer la découpeuse vers un côté. La lame pourrait se coincer ou se briser, ce qui pourrait entraîner des blessures.



**AVERTISSEMENT** : Ne pas meuler avec le côté de la lame. Le meulage cause des bris ou des dommages. Utilisez seulement la section de coupe.



**AVERTISSEMENT** : Avant d'insérer votre lame dans une fente effectuée par une autre lame, vérifiez que la fente n'est pas plus mince que votre lame puisque cela peut entraîner des torsions dans la fente de coupe et un rebond.



**AVERTISSEMENT** : Ne jamais utiliser une lame de diamant pour couper du plastique. La chaleur produite lors de la découpe peut faire fondre le plastique qui peut coller à la lame de coupe et provoquer un rebond.

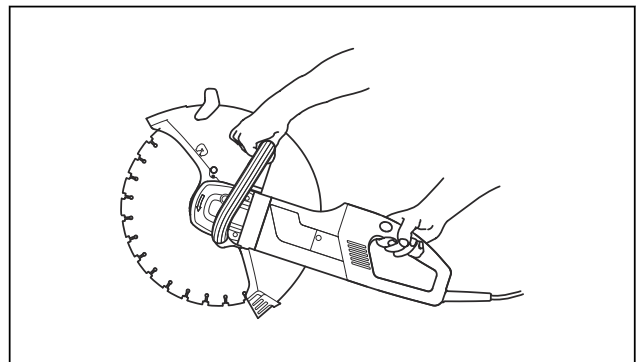


**AVERTISSEMENT** : La découpe de métal génère des étincelles pouvant engendrer un incendie. Ne pas utiliser le produit près des substances inflammables ou des gaz.



**AVERTISSEMENT** : Il est interdit de couper du métal lorsque l'accessoire d'aspiration est en place.

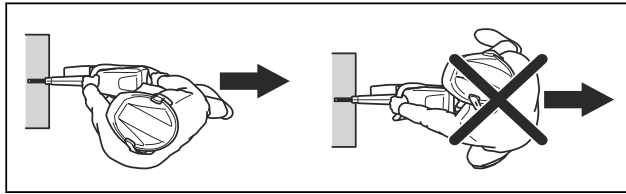
- Le produit est conçu et prévu pour la coupe avec des lames abrasives ou des lames de diamant destinées à des produits portables à haut régime. Le produit ne doit pas être utilisé avec tout autre type de lame, ni pour tout autre type de coupe.
- Vérifier que la lame de coupe est correctement montée et ne présente aucun signe de dommage. Pour plus d'instructions, se reporter à *Lames de coupe* à la page 59.
- S'assurer qu'on utilise la lame de coupe correcte pour l'utilisation visée. Pour plus d'instructions, se reporter à *Lames de coupe* à la page 59.
- Ne jamais couper des matériaux qui contiennent de l'amiante!
- Tenir la scie à deux mains et la maintenir fermement avec les pouces et les doigts de façon à envelopper les poignées. La main droite doit être sur la poignée arrière et la main gauche sur la poignée avant. Tous les opérateurs, qu'ils soient gauchers ou droitiers, doivent utiliser cette poignée. Ne jamais actionner une découpeuse d'une seule main.



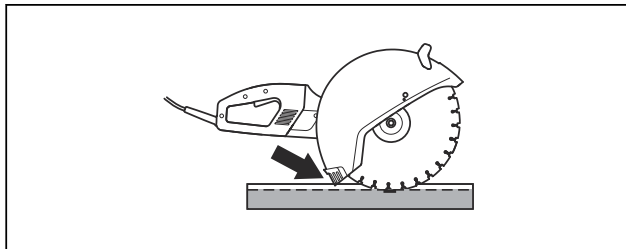
- Se tenir dans un plan parallèle à celui de la lame de coupe. Éviter de se tenir juste derrière celle-ci. En



cas de rebond, la scie bougera dans le plan de la lame de coupe.

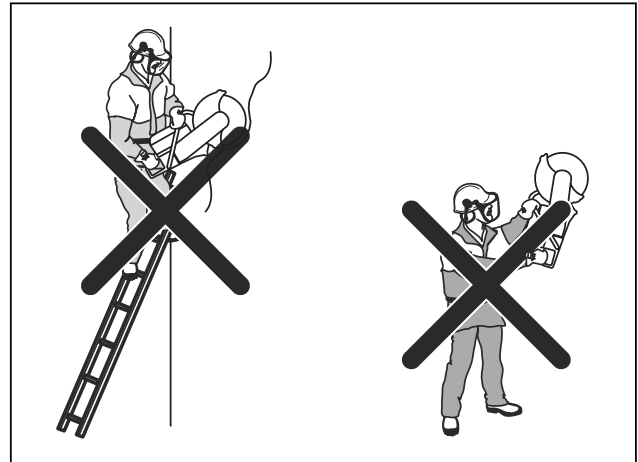


- Si la lame se coince lors de la coupe ou si la coupe doit être interrompue, relâcher l'accélération et attendre jusqu'à ce que la lame s'arrête. Ne pas extraire la lame de l'objet de coupe pendant que la lame est en mouvement, car cela pourrait provoquer un rebond.
- Demeurer à une distance sécuritaire de la lame de coupe pendant que le moteur tourne. Ne pas essayer d'arrêter une lame en rotation avec une quelconque partie du corps.
- Ne jamais déplacer la machine pendant que l'équipement de coupe tourne. S'assurer que la lame est complètement arrêtée avant de déposer la machine sur le sol.
- Le protecteur de l'équipement de coupe doit être ajusté de sorte que sa partie arrière affleure la pièce à travailler. Les étincelles et les projections de matériau coupé sont alors recueillies par le protecteur et éloignées de l'utilisateur. Les protecteurs de l'équipement de coupe doivent toujours être installés lorsque le produit est en marche.

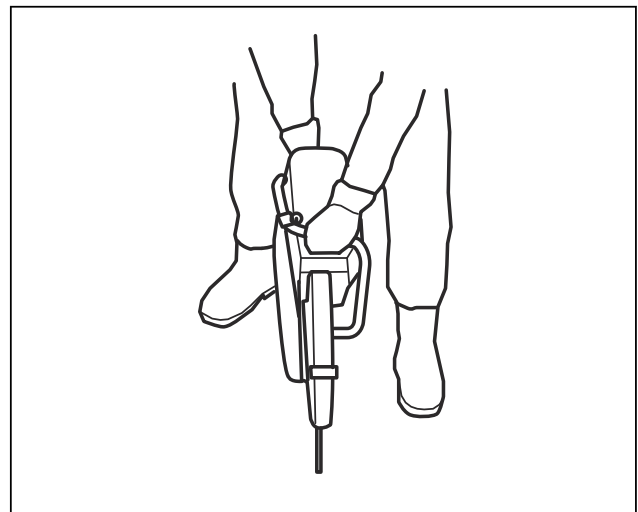


- Ne jamais utiliser la zone de rebond de la lame pour couper. Pour plus d'instructions, se reporter à *Rebond à la page 66*.
- Redoubler de vigilance lorsqu'on découpe une cavité dans un mur ou un emplacement sans visibilité. La roue sortante peut éventuellement couper des canalisations de gaz ou d'eau, des fils électriques ou des objets pouvant provoquer des rebonds.
- Se tenir bien campé et en parfait équilibre.
- Ne jamais couper au-dessus de la hauteur des épaules.
- Ne jamais couper à partir d'une échelle. Si l'endroit où il faut couper se situe au-dessus de la hauteur

des épaules, utiliser une plateforme ou un échafaudage.

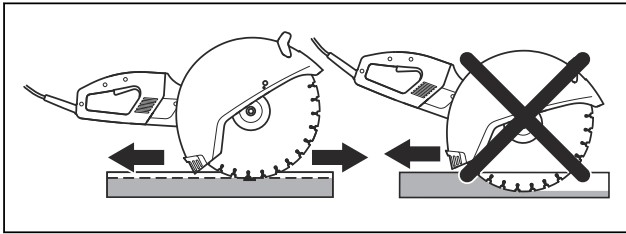


- Ne pas trop se pencher vers l'avant.
- Se tenir à une distance confortable de la pièce à travailler.
- Toujours s'assurer d'être dans une position de travail sûre et stable.
- S'assurer que la lame n'est pas en contact avec quoi que ce soit quand le produit est mis en marche.
- Appliquer la lame de coupe délicatement à haute vitesse de rotation (plein régime). Maintenir le plein régime jusqu'à la fin de la coupe.
- Laisser le produit fonctionner sans essayer de forcer ni d'enfoncer la lame.
- Faire avancer le produit dans l'axe de la lame. Toute pression latérale peut endommager la lame et est très dangereuse.



- Déplacer la lame lentement vers l'avant et l'arrière pour obtenir une petite surface de contact entre la lame et le matériau à couper. Cela réduit la

température de la lame et garantit une coupe efficace.



## Utilisation et entretien des outils électriques

- **Ne pas forcer sur l'outil. Utiliser l'outil qui convient au travail à effectuer.** De cette façon, le résultat sera meilleur et le travail sera effectué de façon plus sécuritaire et au régime pour lequel l'outil a été conçu.
- **Ne pas utiliser l'outil électrique si l'interrupteur ne permet pas la mise sous tension et l'arrêt de l'outil.** Tout outil électrique dont l'interrupteur est défectueux représente un danger et doit être réparé.
- **Débrancher la fiche de la prise ou du bloc d'alimentation avant de procéder aux réglages, de changer les accessoires ou de ranger l'outil.** Ces mesures de sécurité réduisent le risque de mise sous tension accidentelle.
- **Ranger les outils électriques hors de la portée des enfants et ne pas laisser des personnes qui ne connaissent pas l'outil ou les présentes consignes utiliser celui-ci.** Les outils électriques représentent un danger lorsqu'ils sont entre les mains d'utilisateurs non formés.
- **Entretenir les outils électriques correctement. Vérifier l'outil à la recherche de pièces brisées, de mauvais alignement ou de grippage des pièces mobiles et de toute autre situation pouvant nuire au bon fonctionnement de l'outil. Si l'outil est endommagé, il faut le réparer avant de l'utiliser.** De nombreux accidents sont causés par des outils mal entretenus.
- **Maintenir les outils tranchants aiguisés et propres.** Les outils tranchants correctement entretenus dont les bords de coupe sont bien affûtés sont moins susceptibles de se coincer et plus faciles à maîtriser.
- **Utiliser l'outil électrique, les accessoires, les forets, etc., conformément aux présentes instructions et en tenant compte des conditions de travail et de la tâche à réaliser.** L'utilisation de l'outil électrique pour des opérations autres que celles pour lesquelles il est prévu peut entraîner des dangers.
- Il ne faut en aucun cas modifier la conception originale de la machine sans l'approbation du fabricant. Toujours utiliser des pièces de rechange d'origine. Les modifications et/ou les accessoires non autorisés peuvent entraîner des blessures graves ou la mort de l'utilisateur ou d'autres personnes.

- S'assurer qu'aucun tuyau ou câble électrique ne passe dans l'aire de travail ou dans le matériau à découper.
- Toujours vérifier et marquer l'emplacement des conduites de gaz. Il est toujours dangereux de couper près de conduites de gaz. S'assurer qu'il n'y a pas de production d'étincelles lorsqu'on coupe, afin d'éviter le risque d'explosion. Toujours rester concentré et axé sur la tâche. Toute négligence peut entraîner de graves blessures, ou même la mort.
- Le protecteur de l'équipement de coupe doit toujours être installé lorsque la machine est en marche.

## Réparations

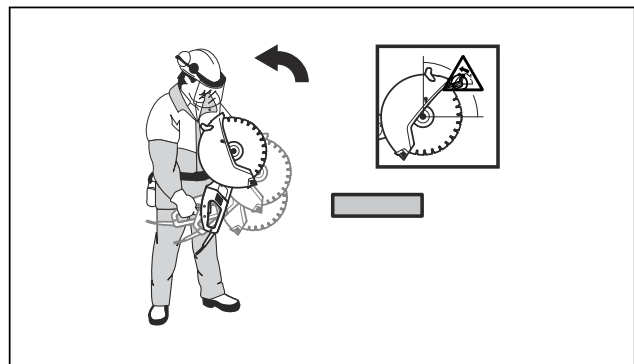
- Faire entretenir votre outil électrique par un technicien qualifié et utiliser uniquement des pièces de rechange identiques aux pièces d'origine. L'entretien adéquat de l'outil permet une utilisation plus sécuritaire.

## Rebond



**AVERTISSEMENT :** Les rebonds sont soudains et peuvent être très violents. La découpeuse peut être éjectée vers le haut et retomber en direction de l'utilisateur dans un mouvement de rotation qui peut causer de graves blessures, ou même la mort. Il est indispensable de comprendre ce qui cause le rebond et de savoir comment l'éviter avant d'utiliser le produit.

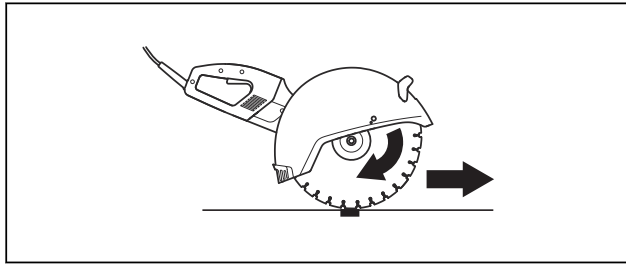
Le rebond est un mouvement soudain vers le haut qui peut survenir si la lame se pince ou se coince dans la zone de rebond. La plupart des rebonds sont légers et présentent peu de danger.



## Force de réaction

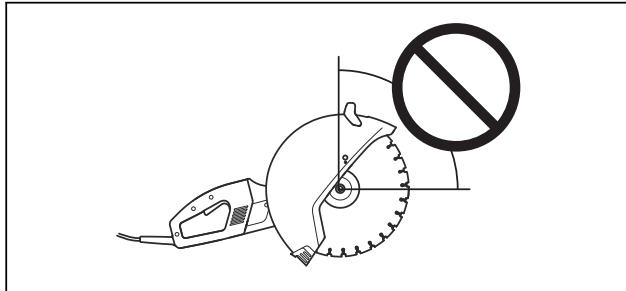
- Une force de réaction s'exerce toujours lors de la coupe. Cette force tire le produit dans le sens opposé à la rotation de la lame. La plupart du temps, cette force est négligeable. Si la lame se pince ou se coince, la force de réaction sera grande et

l'opérateur pourrait perdre la maîtrise de la découpeuse.



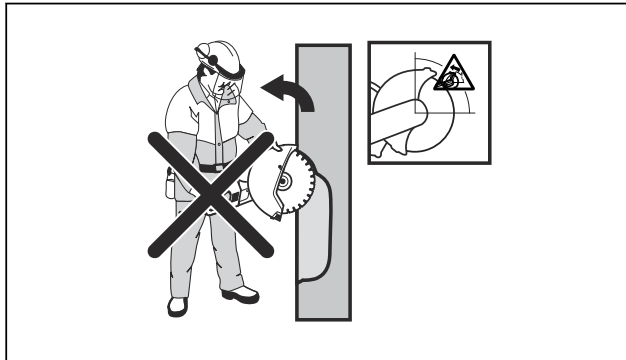
#### Zone de rebond

- Ne jamais utiliser la zone de rebond de la lame pour couper. Si la lame se pince ou se coince dans la zone de rebond, la force de réaction poussera la découpeuse vers le haut, puis la fera retomber en direction de l'utilisateur dans un mouvement de rotation qui peut causer de graves blessures, ou même la mort.



#### Rebond de grimpée

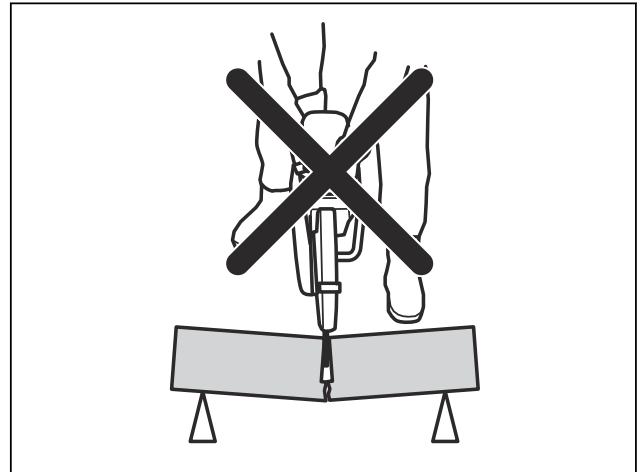
- Si l'on utilise la zone de rebond pour couper, la force de réaction fait grimper la lame dans le sillon de coupe. Ne pas utiliser la zone de rebond. Utiliser le quart inférieur de la lame pour éviter le rebond de grimpée.



#### Rebond de pincement

- Un pincement se produit quand le sillon de coupe se referme et pince la lame. Si la lame se pince ou se coince, la force de réaction sera grande et

l'opérateur pourrait perdre la maîtrise de la découpeuse.



- Si la lame se pince ou se coince dans la zone de rebond, la force de réaction poussera la découpeuse vers le haut, puis la fera retomber en direction de l'utilisateur dans un mouvement de rotation qui peut causer de graves blessures, ou même la mort.

#### Coupe de tuyaux



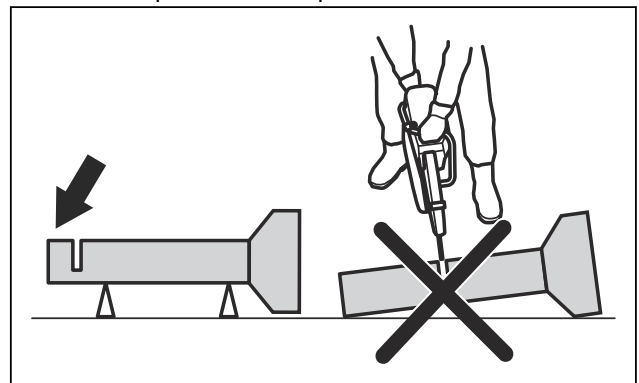
**AVERTISSEMENT :** Le pincement de la lame dans la zone de rebond cause un rebond important.



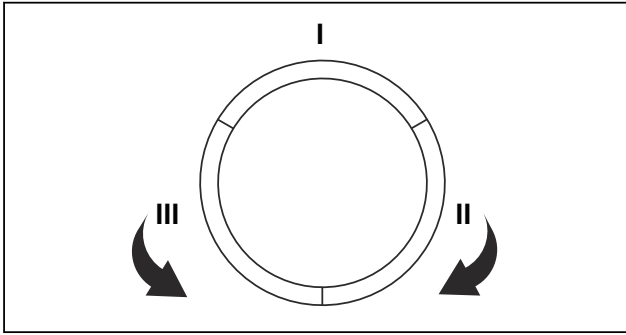
**AVERTISSEMENT :** S'assurer que le tuyau est correctement soutenu de façon à ce que son extrémité se déplace vers le bas lors de la coupe.

Faire particulièrement attention lorsqu'on coupe des tuyaux. Si le tuyau n'est pas correctement soutenu et si le sillon de coupe n'est pas gardé ouvert pendant toute la durée de la coupe, la lame peut se pincer. Faire particulièrement attention lorsqu'on coupe un tuyau en tulipe ou un tuyau dans une tranchée qui, s'il n'est pas correctement soutenu, risque de pendre et de provoquer le pincement de la lame.

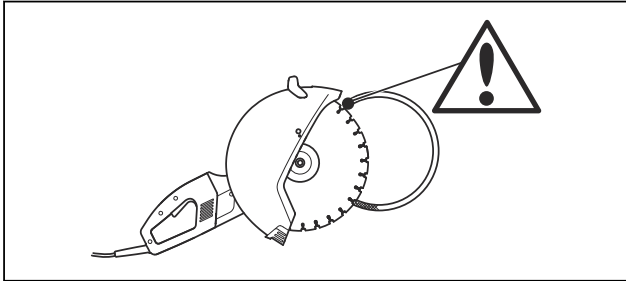
1. Immobiliser le tuyau pour qu'il ne puisse pas bouger ou rouler pendant la coupe.



2. Couper la section « I » du tuyau.



3. S'assurer que le sillon de coupe s'ouvre afin d'éviter le pincement de la lame.

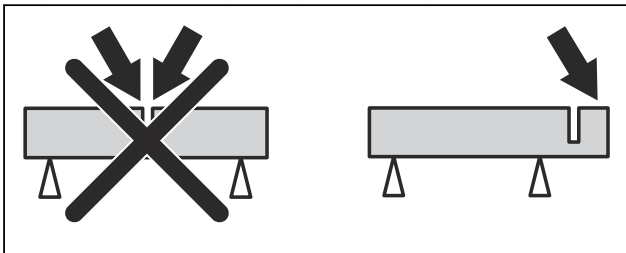


4. Passer à la section « II » et couper de la section « I » jusqu'au bas du tuyau.

5. Passer à la section « III » et couper le reste du tuyau, en finissant au bas.

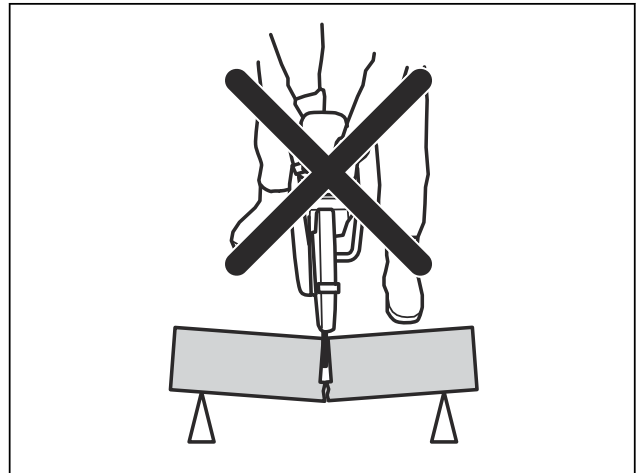
### Éviter le rebond

1. Toujours soutenir la pièce à travailler de manière à ce que le sillon de coupe demeure ouvert pendant la coupe. Lorsque le sillon de coupe est ouvert, il n'y a aucun rebond. Si le sillon de coupe se ferme et pince la lame, il y a toujours un risque de rebond.



2. Faire attention lorsqu'on place la lame dans un sillon existant.

3. Faire attention aux mouvements de la pièce à travailler ou à tout ce qui pourrait se produire. Un mouvement ou tout autre événement peut entraîner la fermeture du sillon de coupe et le pincement de la lame.



4. Ne pas laisser le tuyau pendre et fermer le sillon de coupe. Si cela se produisait, la lame pourrait se pincer dans la zone de rebond et provoquer un rebond important.

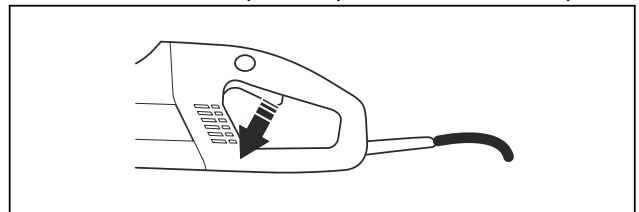
5. Soutenir correctement l'extrémité du tuyau pour qu'elle se déplace vers le bas, afin de garder le sillon de coupe ouvert et d'éviter le pincement de la lame.

### Examen de l'interrupteur



**AVERTISSEMENT** : Si l'interrupteur du moteur est défectueux, il doit être remplacé dans un atelier d'entretien agréé.

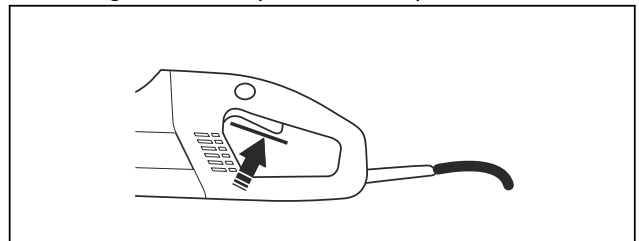
1. Faire démarrer le produit, puis relâcher l'interrupteur.



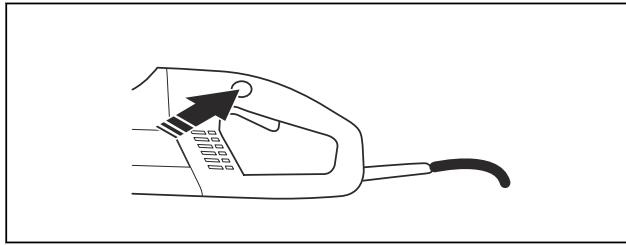
2. S'assurer que le moteur et la lame de coupe s'arrêtent.

### Examen du blocage de l'interrupteur

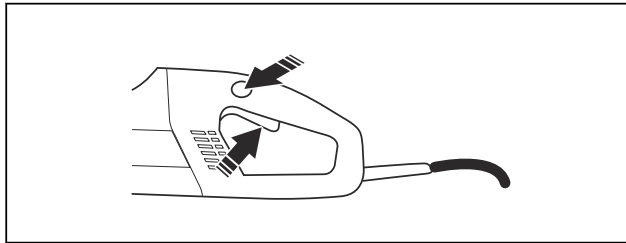
1. Vérifier que l'interrupteur est verrouillé lorsque le blocage de l'interrupteur est à sa position initiale.



- Appuyer sur le blocage de l'interrupteur et vérifier qu'il retourne à sa position initiale une fois relâché.



- S'assurer que l'interrupteur et le blocage de l'interrupteur se déplacent librement et que le ressort de rappel fonctionne correctement.



- Faire démarrer le produit, relâcher l'interrupteur, puis s'assurer que le moteur et la lame de coupe s'arrêtent.

### Examen du protège-lame

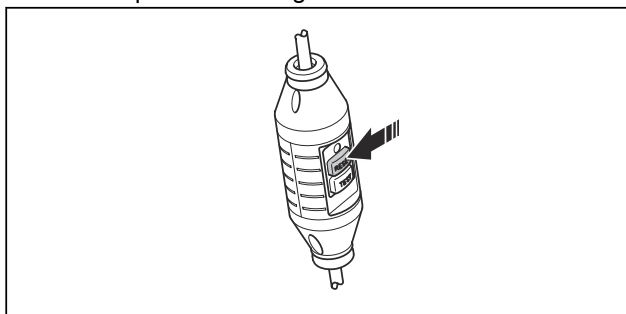


**AVERTISSEMENT :** Toujours s'assurer que le protège-lame est correctement installé avant de démarrer le produit. Vérifier que la lame de coupe est correctement montée et ne présente aucun signe de dommage. Une lame de coupe endommagée peut causer des blessures. Consulter les instructions sous la rubrique Montage.

- S'assurer que le protecteur est complet et qu'il n'est ni fissuré, ni déformé.

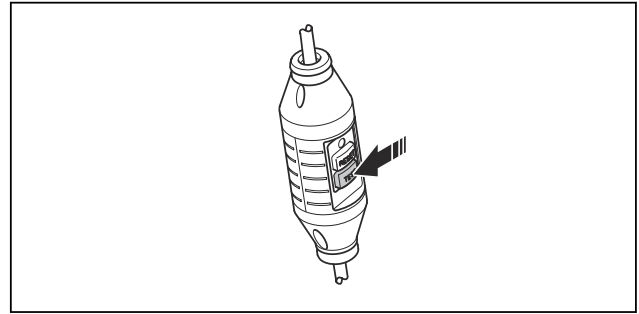
### Examen du dispositif de protection contre les courants résiduels

- Brancher la machine dans la prise.
- Appuyer sur le bouton de réinitialisation (vert) et vérifier que la DEL rouge s'allume.



- Faire démarrer la machine.

- Appuyer sur le bouton d'essai (bleu).



- Le disjoncteur de fuite à la terre devrait se déclencher et la machine devrait s'arrêter instantanément. Si ce n'est pas le cas, contacter le concessionnaire.
- Appuyer sur le bouton de réinitialisation (vert).

### Avant de démarrer



**AVERTISSEMENT :** Lire attentivement le manuel d'utilisation et veiller à bien comprendre les instructions avant d'utiliser le produit.



**AVERTISSEMENT :** Porter un équipement de protection personnelle. Voir *Équipement de protection personnelle* à la page 57.



**AVERTISSEMENT :** Veiller à ce qu'aucune personne non autorisée ne se trouve dans la zone de travail afin de réduire les risques de blessure.

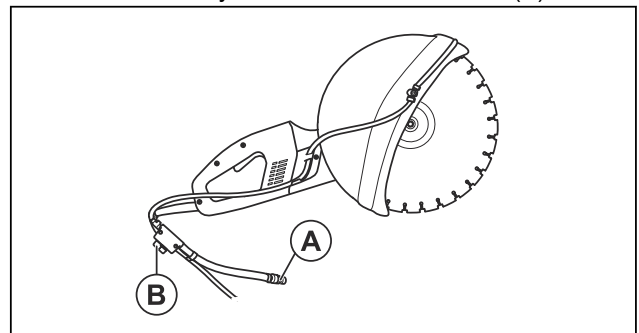


**AVERTISSEMENT :** Vérifier que la tension de secteur correspond à la valeur indiquée sur la plaque signalétique du produit.

Effectuer l'entretien quotidien. Se reporter à la section *ENTRETIEN* à la page 70.

### Raccordement de l'eau

- Raccorder le tuyau d'eau à l'arrivée d'eau (A).



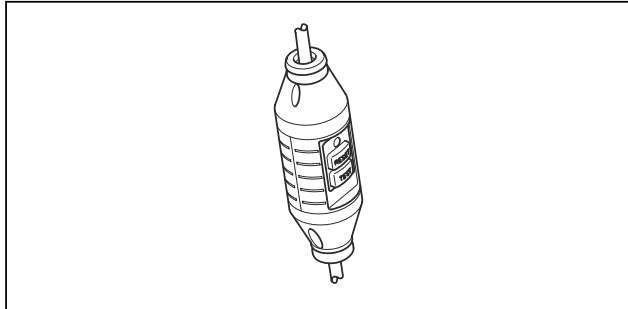
- Tourner le robinet d'eau (B) pour laisser l'eau couler ou s'arrêter.

## Mise en marche du disjoncteur de fuite à la terre



**AVERTISSEMENT** : Ne jamais utiliser l'outil si le disjoncteur de fuite à la terre n'est pas fourni avec l'outil. Toute négligence peut entraîner de graves blessures, ou même la mort.

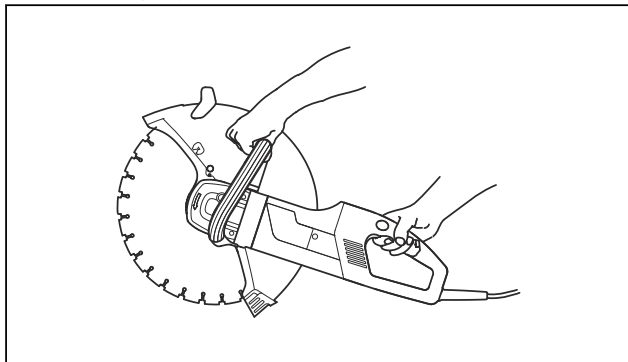
1. S'assurer que le disjoncteur de fuite à la terre est fermé.



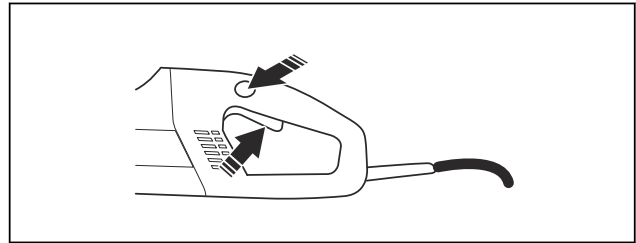
2. Mettre l'outil sous tension. Si la DEL n'est pas allumée, appuyer sur le bouton de réinitialisation (vert).
3. Examiner le disjoncteur de fuite à la terre.

## Mise sous tension de l'appareil

1. Saisir la poignée avant avec la main gauche.
2. Saisir la poignée arrière avec la main droite.



3. Appuyer sur le blocage de l'interrupteur avec le pouce droit et appuyer sur l'interrupteur.



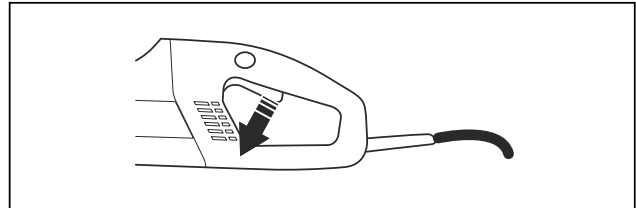
4. Faire fonctionner le produit sans charge de façon sécuritaire pendant au moins 30 secondes.

## Mise hors tension de l'appareil



**AVERTISSEMENT** : La lame de coupe continue de tourner (librement) pendant un maximum d'une minute après l'arrêt du moteur. S'assurer que la lame de coupe peut tourner librement jusqu'à son arrêt complet. Toute négligence peut entraîner de graves blessures.

1. Relâcher l'interrupteur pour arrêter le moteur.



## ENTRETIEN

### Calendrier d'entretien

Le calendrier d'entretien indique les pièces du produit dont la l'entretien est nécessaire. Il indique également

les intervalles d'entretien qui doivent être respectés. Ces intervalles sont calculés pour une utilisation quotidienne du produit et peuvent varier selon l'utilisation réelle.

	Quotidien	Hebdomadaire / toutes les 40 heures	Annuel
Nettoyage	Nettoyage extérieur		
	Prise d'air de refroidissement		

	Quotidien	Hebdomadaire / toutes les 40 heures	Annuel
<b>Inspection de fonctionnement</b>	Inspection générale	Balais de charbon	
	Interrupteur*		
	Blocage de l'interrupteur*		
	Protège-lame*		
	Lame de coupe*		
	Système de distribution d'eau		
<b>Modifier</b>			Graisse de la boîte d'engrenage
*Se reporter aux instructions de la section <i>Dispositifs de sécurité sur l'outil</i> à la page 57.			
**Se reporter aux instructions de la section <i>Lames de coupe</i> à la page 59.			

## Procédures de nettoyage

### Nettoyage extérieur



**AVERTISSEMENT** : Ne pas utiliser d'eau à haute pression pour rincer l'intérieur du produit.

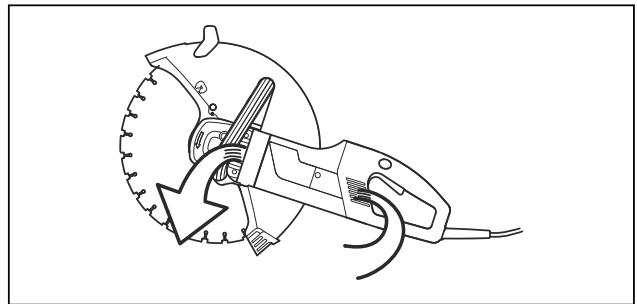
Le produit résiste à l'air humide et aux éclaboussures pendant les opérations de coupe. Lorsqu'on coupe des matériaux qui peuvent contenir du sel, comme du béton ou de la brique, on doit rincer le produit après les travaux. Le nettoyage réduit le risque d'accumulations à l'intérieur du moteur. Ces accumulations peuvent causer un courant de fuite entre les composants électriques. Le courant de fuite peut provoquer le déclenchement accidentel du disjoncteur de fuite à la terre.

1. Rincer le produit tous les jours à l'eau propre après les travaux.
2. Placer le produit avec la poignée arrière orientée vers le haut.
3. Rincer les prises d'air de la poignée arrière à l'eau propre. L'eau s'échappera par les sorties d'air avant.
4. Brancher la fiche et faire tourner le moteur à sec pendant environ 30 secondes pour augmenter la vitesse de séchage du moteur.

### Nettoyage de la prise d'air de refroidissement

Le produit est doté d'un ventilateur qui réduit la température du moteur. Actionner la poignée arrière du produit pour faire entrer l'air de refroidissement par la grille. L'air passera au-dessus du stator et du rotor pour ressortir par l'avant du carter moteur.

1. Veiller à ce que les ouvertures d'air de refroidissement soient toujours dégagées et propres afin que le produit soit suffisamment refroidi.



2. Souffler régulièrement de l'air comprimé dans le produit.

## Inspections de fonctionnement

### Inspection générale du fonctionnement



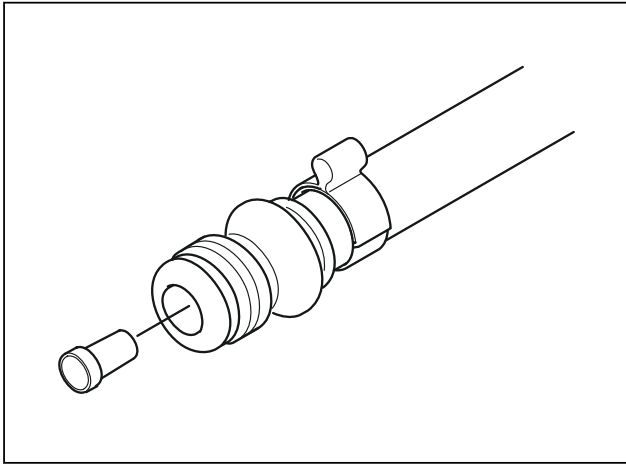
**AVERTISSEMENT** : Ne jamais utiliser des câbles endommagés. Ceux-ci peuvent causer des blessures graves, voire mortelles.

1. Vérifier que le câble et la rallonge sont intacts et en bon état. Ne jamais utiliser le produit si le câble est endommagé, et le confier à un atelier d'entretien agréé pour le faire réparer.
2. Vérifier que les vis et les écrous sont bien serrés.

### Inspection du système de distribution d'eau

1. Vérifier que les buses sur le protège-lame ne sont pas obstruées.
2. Nettoyer si nécessaire.
3. Vérifier que le filtre sur le raccord de l'eau n'est pas colmaté.

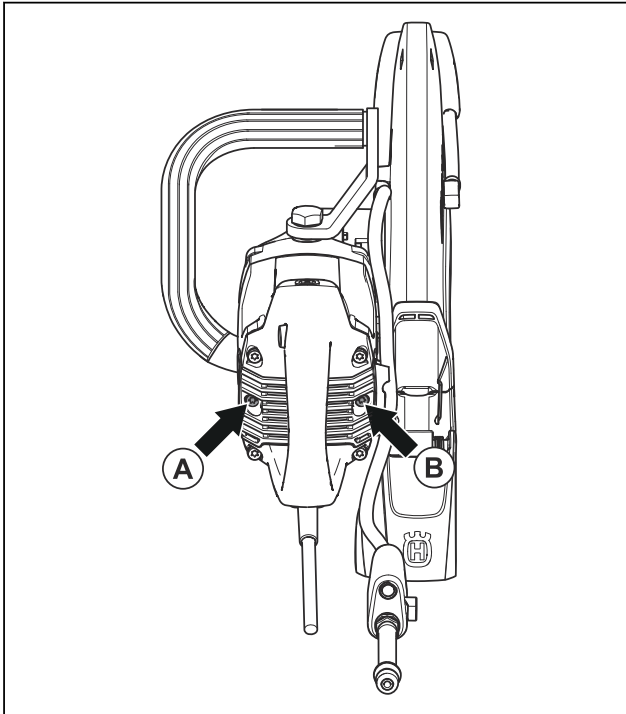
4. Nettoyer si nécessaire.



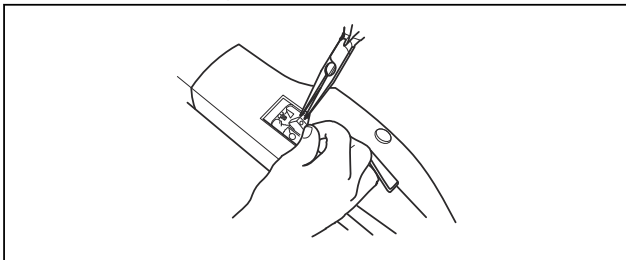
### Remplacement des balais de charbon

Remplacer les balais de charbon s'ils sont usés, fissurés ou autrement endommagés. Remplacer tous les balais de charbon en même temps.

1. Desserrer les deux vis (A) et (B) afin de retirer le couvercle d'inspection.



2. Retirer le câble qui maintient le balai de charbon.



3. Soulever le ressort, puis retirer le balai de charbon de son support.

4. Nettoyer les supports de balai avec un pinceau à sec.
5. Souffler doucement pour éliminer la poussière.
6. Installer les nouveaux balais de charbon et, en même temps, vérifier qu'ils glissent facilement dans leurs supports.
7. Abaisser les ressorts et serrer le câble.
8. Faire fonctionner les nouveaux balais de charbon pendant environ 40 minutes au ralenti.

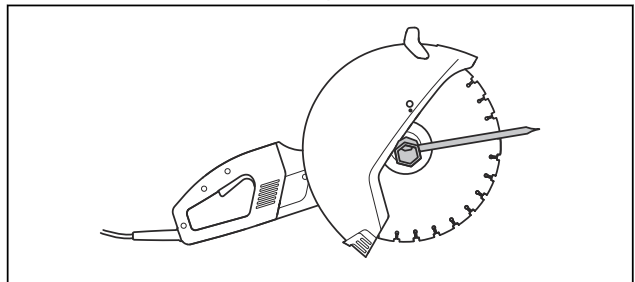
### Graissage de la boîte d'engrenage

Ne pas remplir complètement de graisse le carter d'engrenage. La graisse se dilate lorsque la température du produit augmente pendant le fonctionnement. Si l'on remplit complètement de graisse le carter d'engrenage, on peut endommager les joints et causer une fuite de graisse.

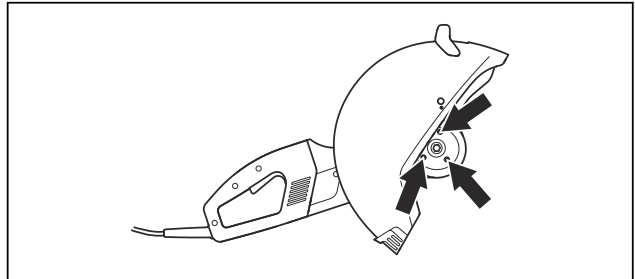
Le carter d'engrenage doit contenir 90 g (0,2 lb) de graisse au total. N'utiliser que la graisse recommandée par Husqvarna.

Démonter les pièces de la manière indiquée ci-dessous pour remplacer la graisse dans le carter d'engrenage :

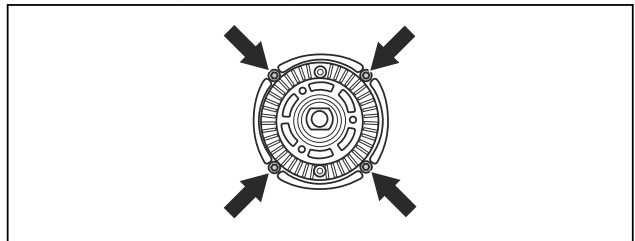
1. Démontez les rondelles d'accouplement qui retiennent la lame de coupe.



2. Démontez le joint d'étanchéité.
3. Démontez la bride de support du protège-lame.

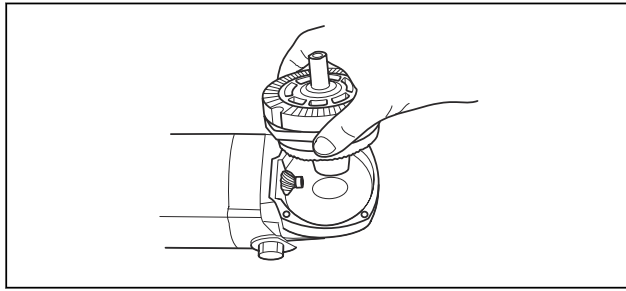


4. Démontez le protège-lame.
5. Retirez les quatre vis qui maintiennent le bouclier.





6. Soulever le bouclier avec la roue d'entraînement et les sortir ensemble du carter d'engrenage.



7. Essuyer pour enlever la graisse, puis remplir le carter de graisse pour engrenages neuve et de bonne qualité.

## TRANSPORT, ENTREPOSAGE ET MISE AU REBUT

### Transport

#### Transport du produit

- Pendant le transport, immobiliser le produit afin d'éviter les dommages et les accidents dus au transport.

#### Transport des lames de coupe

- Ne pas transporter la découpeuse avec une lame de coupe montée. Retirer toutes les lames de coupe de la découpeuse après l'utilisation.
- Inspecter toutes les lames neuves à la recherche de dommages dus au transport.

### Entreposage

#### Entreposage du produit

- Remiser le produit dans une zone fermable à clé, de façon à le mettre hors de portée des enfants et des personnes non autorisées.

#### Entreposage des lames de coupe

- Ne pas ranger la découpeuse avec une lame de coupe montée. Retirer toutes les lames de coupe de la découpeuse après l'utilisation et les ranger avec précaution.
- Ranger les lames de coupe au sec et à l'abri du gel. Accorder une attention particulière aux lames abrasives. Les lames abrasives doivent être rangées

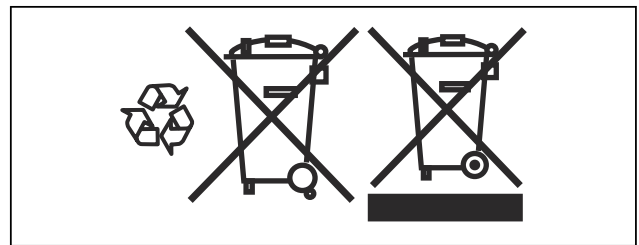
sur une surface plane et horizontale. Si une lame abrasive est conservée à l'humidité, elle peut devenir déséquilibrée et provoquer des blessures.

- Inspecter les lames neuves à la recherche de dommages dus à l'entreposage.

### Mise au rebut

Les symboles sur le produit ou l'emballage du produit indiquent que vous ne pouvez pas traiter ce produit comme un déchet domestique. Le déposer dans un centre de recyclage pour la récupération des équipements électriques et électroniques.

En veillant à ce que ce produit soit traité de façon adéquate, vous contribuez à réduire l'impact négatif potentiel sur l'environnement et les personnes de la mauvaise gestion des déchets. Pour obtenir de plus amples renseignements sur le recyclage de ce produit, communiquez avec votre municipalité, son service de déchets ménagers ou le magasin où vous avez acheté le produit.



## DONNÉES TECHNIQUES

### Données techniques

<b>K 4000</b>		
Classe de protection		I
Régime max. de l'arbre de sortie, tr/min	120 V, 60 Hz	3400
	230 V, 50 Hz	3600
<b>Tension nominale, V</b>		
Europe		230

<b>K 4000</b>		
Royaume-Uni et Irlande		110
États-Unis, Canada, Japon		100-120
Australie		230
<b>Puissance nominale, W</b>		
Europe	230 V, 50 Hz	2 700, 12 A
Royaume-Uni et Irlande	110 V, 50 Hz	2 200, 20 A
États-Unis, Canada, Japon	100-120 V, 50-60 Hz	15 A
Australie	230 V, 50 Hz	2 300, 10 A
<b>Poids</b>		
Machine sans dispositif sur câbles, sans lame et sans accessoire d'aspiration, kg (lb)		7,6 (16,7)
<b>Refroidissement à l'eau</b>		
Refroidissement à l'eau de la lame		Oui
Embout de raccordement		Type « Gardena »
Pression d'eau recommandée, en bars (lb/po2)		0,5-8 (7,3-116)
<b>Émissions sonores (voir la remarque 1)</b>		
Niveau de puissance sonore, mesuré en dB(A)		104
Niveau de puissance sonore garanti, $L_{WA}$ dB(A)		105
<b>Niveaux sonores (voir la remarque 2)</b>		
Niveau de pression sonore équivalent à l'oreille de l'utilisateur, dB(A)		95
<b>Niveaux de vibration équivalents, <math>a_{hveq}</math> (voir la remarque 3)</b>		
Poignée avant, $m/s^2$		3,5
Poignée arrière, $m/s^2$		3,5
<p><b>Remarque 1 :</b> Émissions sonores dans l'environnement, mesurées en tant que puissance acoustique (LWA) conformément à la directive 2000/14/EC. La puissance sonore garantie diffère du niveau mesuré en cela qu'elle prend également en compte la dispersion et les variations entre plusieurs produits du même modèle, conformément à la directive 2000/14/EC.</p> <p><b>Remarque 2 :</b> Le niveau de pression sonore équivalent, conformément à la norme EN ISO 19432, est calculé comme l'énergie totale pondérée-temps pour différents niveaux de pression sonore dans différentes conditions de travail. Les données signalées pour le niveau de pression sonore équivalent du produit présentent une dispersion statistique type (écart standard) de 1 dB(A).</p> <p><b>Remarque 3 :</b> Le niveau de vibration équivalent, conformément à la norme EN ISO 19432, est calculé comme l'énergie totale pondérée-temps pour différents niveaux de vibration dans différentes conditions de travail. Les données signalées pour le niveau de vibration équivalent présentent une dispersion statistique type (écart standard) de 1 <math>m/s^2</math>.</p>		

## Lames de coupe abrasives et de diamant recommandées

Lame de coupe, mm (po)	350 (14)
Vitesse périphérique max., m/s (pi/s)	100 (19 600)

Régime max. de la lame, tr/min	3 900
Profondeur de coupe max., mm (po)	125 (4 59/64)
Profondeur de coupe max. avec accessoire d'aspiration, mm (po)	119 (4 11/16)



**MISE EN GARDE** : Les recommandations ci-dessous indiquent le diamètre de câble minimal en fonction de la longueur de rallonge maximale. Suivre ces recommandations pour éviter de nuire à la performance et d'endommager le produit.

Superficie de câble	1,5 mm <sup>2</sup>	2,5 mm <sup>2</sup>
Tension d'entrée 100-120 V	20 m	40 m
Tension d'entrée 220-240 V	30 m	50 m

## DÉCLARATION DE GARANTIE AUX ÉTATS-UNIS

### Politique de garantie

Toute réclamation au titre de la garantie sera résolue après inspection dans un établissement désigné. Une autorisation de retour de marchandise est nécessaire en cas de réclamation au titre de la garantie. Pour obtenir une autorisation de retour de marchandise, communiquer avec le service à la clientèle de Husqvarna au 800-845-1312. Le client doit prépayer le transport et assumer tous les frais de main-d'œuvre nécessaires au retour ou au remplacement d'un produit soumis à des fins de garantie. Husqvarna remboursera les frais de transport encourus pour les produits réparés ou les produits de remplacement homologués.

possession du produit. Par ailleurs, la garantie est nulle si le produit, ou l'un de ses composants, est modifié par le consommateur acheteur ou si le produit est utilisé d'une façon inappropriée ou avec des outils non recommandés par le fabricant.

**Exceptions** : moteurs de forage – 3 mois, scies murales – 1 an, découpeuses – 3 mois, DM230 – 1 an, DM225 – 3 mois, systèmes Gyro – 1 an, système CD40 – 1 an, DS160 C – 1 an, Smartbox – 1 an, CS2515 – 1 an, PP455 E – 1 an, PP345 E – 1 an, HP40 – 1 an.

**Pièces soumises à l'usure** : filtres, bougies d'allumage, roulements\*, courroies, disques\*\* et plaques d'usure.

\*Sauf système IntelliSeal™. \*\*Sauf délaminage.

### ÉQUIPEMENT

L'équipement fabriqué par Husqvarna est garanti exempt de tout défaut de fabrication en fonctionnement normal pour une période de deux (2) ans à partir de la date de l'achat par le consommateur acheteur initial. Les fabricants des pièces proposent des périodes de garantie distinctes. Pour obtenir tous les renseignements, communiquer avec le service technique au 800-288-5040.

En vertu de cette garantie, notre obligation est expressément limitée au remplacement ou à la réparation chez Husqvarna Construction Products North America, Olathe, Kansas 66061, ou à un atelier d'entretien désigné par nos soins, des pièces jugées défectueuses lors de l'inspection.

Cette garantie ne s'applique pas aux défauts occasionnés par des dommages, une utilisation abusive, des réparations inadéquates effectuées ailleurs que dans un centre de réparation agréé de Husqvarna, ou des défauts causés par l'absence d'un entretien raisonnable, pendant que le consommateur est en



[www.husqvarna.com](http://www.husqvarna.com)

Original instructions  
Instrucciones originales  
Instructions d'origine

1158701-49



2018-02-01